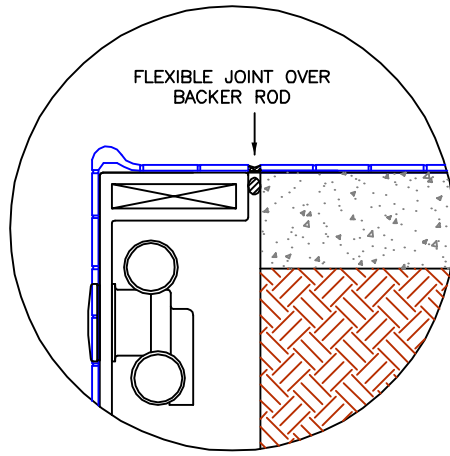
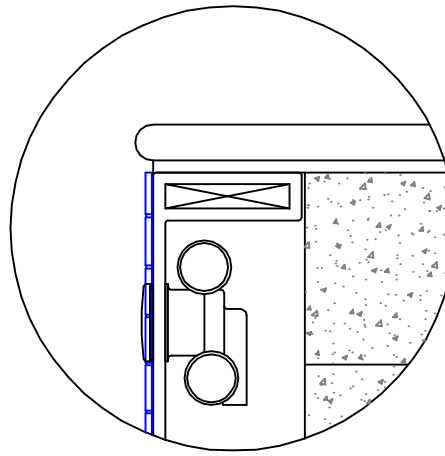


#1



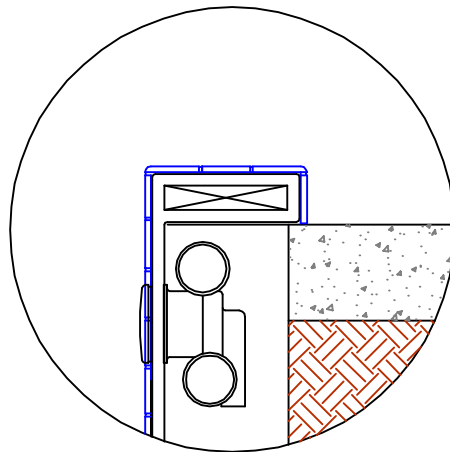
American Olean C701 coping tile for commercial application

#2



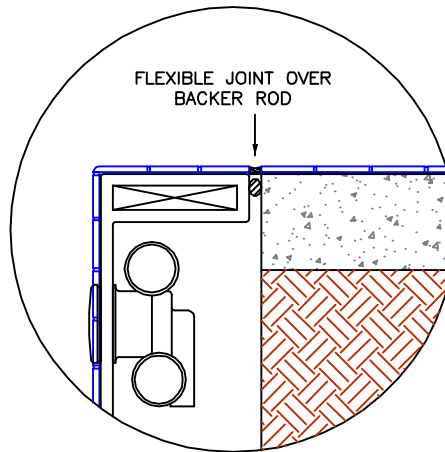
Cantilevered deck on top of spa lip. Spa's upper horizontal lip is raw fiberglass (untiled).

#3



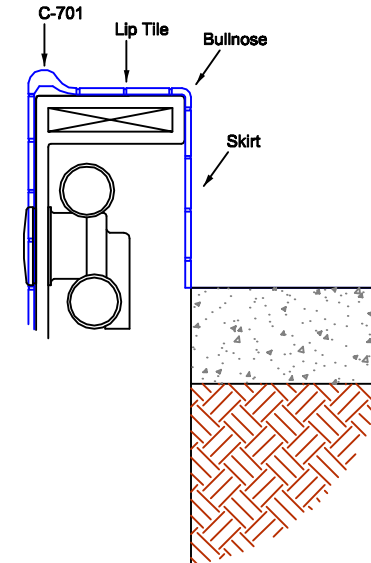
All tiled lip, horizontal and vertical, finish deck under lip

#4



Partially tiled lip, horizontal only with transition to deck at same level

#5



American Olean C701 coping tile for commercial application

ALL DIMENSIONS SUBJECT TO 1/4" TOLERANCES

These drawings, concepts, and details contained herein are the original proprietary designs of NESPA ENTERPRISES, developed over many years of experience in the pool and spa industry and as such are protected by the copyright laws of the United States Government. Reproduction of any of the above without written permission to do so by NESPA ENTERPRISES, is illegal.

NESPA ENTERPRISES INC.

2800 Richter Ave. Ste. C Oroville, CA 95966

Office: (530) 534-9910

Fax: (530) 534-9915

E-Mail: sales@tiledspas.com Web Site: www.tiledspas.com



SIZE
A

DWG NAME

DETAILS

DWG TYPE

Detail (8)

SCALE 3/4" = 1'

DATE 11/6/2008

SHEET

PAGE 1 OF 1