

10" Anti-Entrapment Suction Outlet Cover and Frame

VGB Series

Product Specification Sheet

The AquaStar line of suction outlet covers compliant with the new Virginia Graeme-Baker Pool and Spa Safety Act (ASME/ANSI A112.19.8-2007)

Features

For Single or Multiple Drain Use
(See Installation Instructions)

Single:

Floor: 206 GPM at 5.8 fps
Wall: 96 GPM at 2.8 fps

Dual:

Floor: 206 GPM at 2.9 fps
Wall: 96 GPM at 1.4 fps

Triple System:

Floor: 412 GPM at 3.9 fps
Wall: 288 GPM at 2.7 fps
Floor: 157 GPM at 1.5 fps

11.2 sq. in. Opening

#316 Stainless Steel Screws

Manufactured from Super Strong UV
Resistant ABS/ASA Material

Meets or Exceeds ASME/ANSI
A112.19.8-2007 National Standards and
ASTM G154 UV Testing

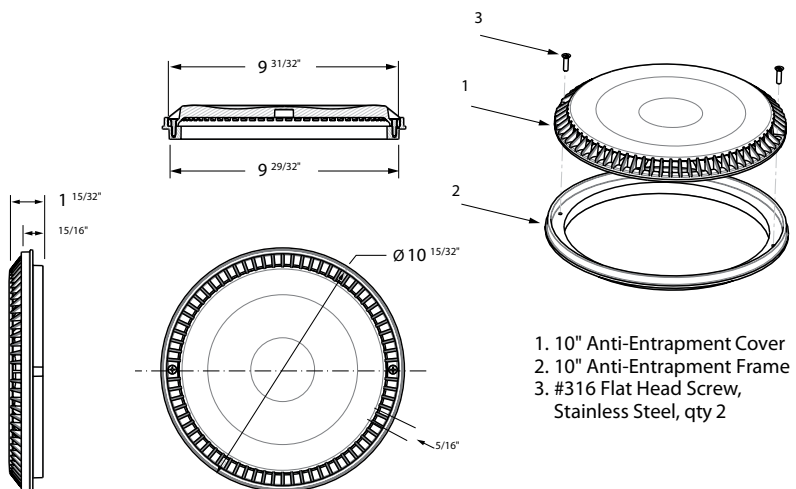
Listed with IAPMO R&T

50 Per Case



Part Numbers / Colors

- 10AV101 White
- 10AV102 Black
- 10AV103 Lt. Gray
- 10AV104 Blue
- 10AV105 Dk. Gray
- 10AV106 Bone
- 10AV107 Taupe
- 10AV108 Tan



1. 10" Anti-Entrapment Cover
2. 10" Anti-Entrapment Frame
3. #316 Flat Head Screw, Stainless Steel, qty 2