

4" Round Hockey Puck Sumpless Suction Outlet Cover

VGB Series

Product Specification Sheet

The AquaStar line of suction outlet covers, compliant with the new Virginia Graeme-Baker Pool and Spa Safety Act (ASME/ANSI A112.19.8a-2008)

Features

For single or multiple drain use in gunite, steel, vinyl, fiberglass and tile pools and spas (see installation instructions)

Single

Floor/wall: 56 GPM at 3.5 fps

Floor/wall: 24.4 GPM at 1.5 fps

5.2 square inch opening

No sump required

Trademarked VGB compliance button easily identifies VGB 2008 compliant cover from on deck and underwater

#316 stainless steel screws,
qty 3 for brass inserts

Manufactured from superior UV-resistant engineered polymers

All components meet or exceed NSF 50/ASME/ANSI A112.19.8a-2008 national standards and ASTM G154 UV testing exposure

Easily and safely retrofits many HydroAir/ITT parts

Listed with IAMPO R&T

See page 81 for seven different adapter plates that are sold separately, available for sumpless connections to 1022s, 1.5" female adapters, 1.5" and 2" inside and outside slip and threads

25 per case

NEW

Ideal for fiberglass and all sumpless configurations.

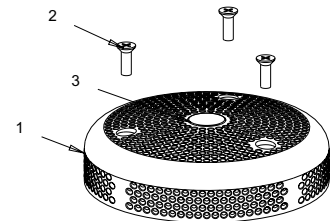
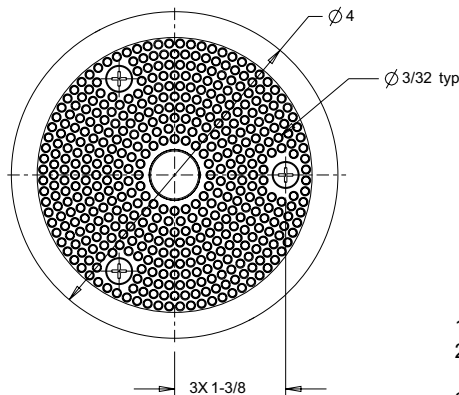


Part # 4HPxxx

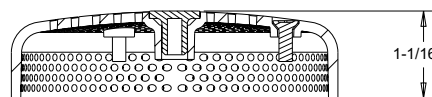
Part Numbers / Colors

- 4HP101 White
- 4HP102 Black
- 4HP103 Lt. Gray
- 4HP104 Blue
- 4HP105 Dk. Gray
- 4HP106 Bone
- 4HP107 Taupe
- 4HP108 Tan

VGB 2008 Compliant



1. 4" suction outlet cover
2. 8-32 x 1/2" lg flat head phillips screw, 316 ss, qty 3
3. VGB 2008 "color code" swimming man



ADDITIONAL PRODUCT CONFIGURATIONS FOR 4HPxxx (sold separately)

AVAILABLE COLORS White 101 Black 102 Light Gray 103 Blue 104 Dark Gray 105 Bone 106 Taupe 107 Tan 108

Features: Adapter Plates for 4HPxxx

For single or multiple drain use in gunite, steel, vinyl, fiberglass and tile pools and spas (see installation instructions)

Three brass inserts

Manufactured from superior UV-resistant engineered polymers/ABS

All components meet or exceed NSF 50/ASME/ANSI A112.19.8a-2008 national standards and ASTM G154 UV testing exposure

Seven different combinations available for sumplex connections to 1022s, 1.5" female adapters, 1.5" and 2" inside and outside slip and threads; baseplates sold separately

25 per case

Code Key:

4 = for 4HPxxx

xxx = color

(i.e. 101 = white)

HP = "hockey puck" cover 25 = 2 1/2"

15 = 1 1/2"

20 = 2"

Soc. = socket, slip

SPG = spigot, slip

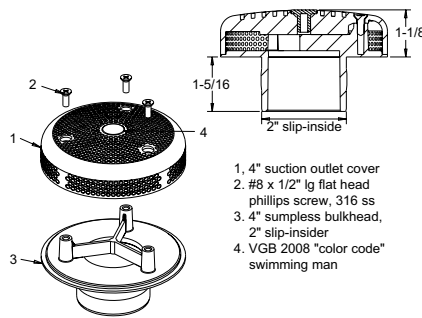
SI = Slip Insider

T = Thread

4" Bulkhead Adapter with 2" Slip-Insider Sumpless Fitting (sold separately)



Part #
420S1xxx

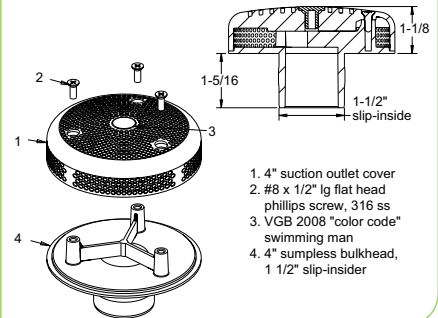


1. 4" suction outlet cover
2. #8 x 1/2" lg flat head phillips screw, 316 ss
3. 4" sumpless bulkhead, 2" slip-insider
4. VGB 2008 "color code" swimming man

4" Bulkhead Adapter with 1 1/2" Slip-Insider Sumpless Fitting (sold separately)



Part #
415Sxxx

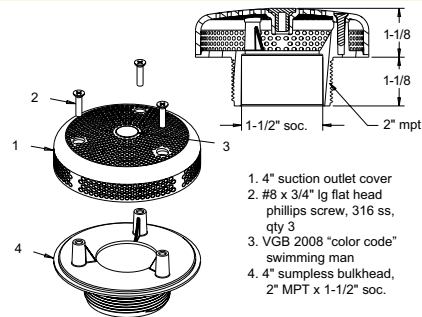


1. 4" suction outlet cover
2. #8 x 1/2" lg flat head phillips screw, 316 ss
3. VGB 2008 "color code" swimming man
4. 4" sumpless bulkhead, 1 1/2" slip-insider

4" Bulkhead Adapter with 2" Threaded x 1 1/2" Socket Sumpless Fitting (sold separately)



Part #
420T15Sxxx

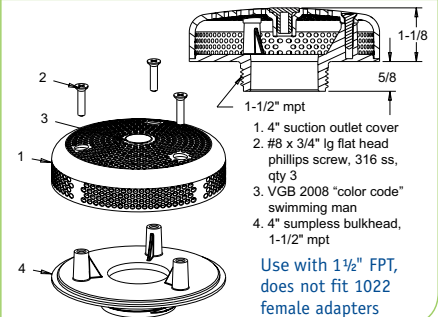


1. 4" suction outlet cover
2. #8 x 3/4" lg flat head phillips screw, 316 ss, qty 3
3. VGB 2008 "color code" swimming man
4. 4" sumpless bulkhead, 2" MPT x 1-1/2" soc.

4" Bulkhead Adapter with 1 1/2" Threaded Sumpless Fitting (sold separately)



Part #
415Txxx



1. 4" suction outlet cover
2. #8 x 3/4" lg flat head phillips screw, 316 ss, qty 3
3. VGB 2008 "color code" swimming man
4. 4" sumpless bulkhead, 1-1/2" mpt

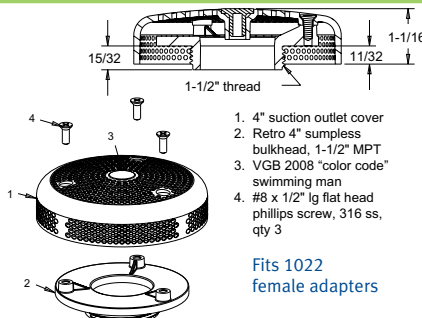
Use with 1 1/2" FPT, does not fit 1022 female adapters

Retrofit 4" Bulkhead Adapter with 1 1/2" Threaded Sumpless Fitting (sold separately)



Part #
R415Txxx

Also retrofits HydroAir #30-6906 and #30-6806



1. 4" suction outlet cover
2. Retro 4" sumpless bulkhead, 1-1/2" MPT
3. VGB 2008 "color code" swimming man
4. #8 x 1/2" lg flat head phillips screw, 316 ss, qty 3

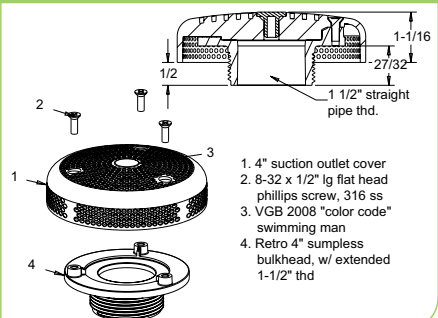
Fits 1022 female adapters

Retrofit 4" Bulkhead Adapter with 1 1/2" Threaded Sumpless Fitting (sold separately)



Part #
RE415Txxx

Also retrofits HydroAir #30-6906 and #30-6806



1. 4" suction outlet cover
2. 8-32 x 1/2" lg flat head phillips screw, 316 ss
3. VGB 2008 "color code" swimming man
4. Retro 4" sumpless bulkhead, w/ extended 1-1/2" thd