

NESPA ENTERPRISES INC.

2800 Richter Ave, Suite C
Oroville, CA 95966

Office: (888) 479-4677 Fax: (530) 534-9915
E-Mail: sales@tiledspas.com www.tiledspas.com

CARIBBEAN

SPA DETAIL

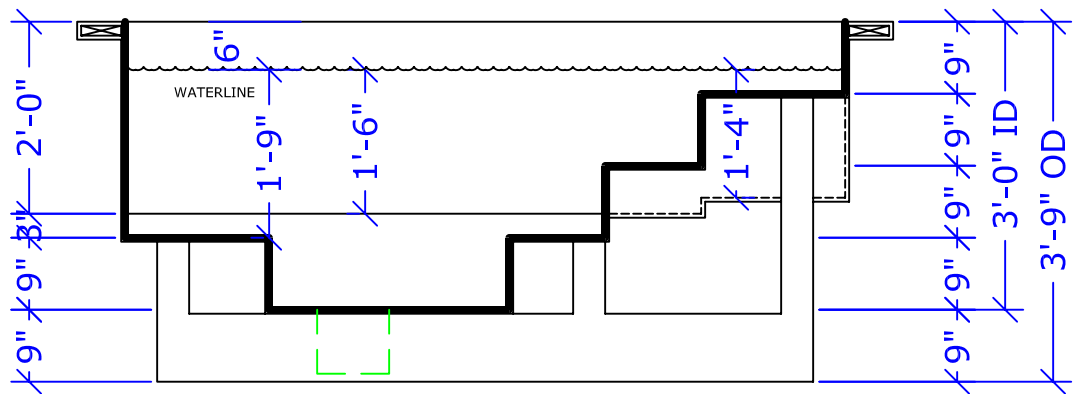
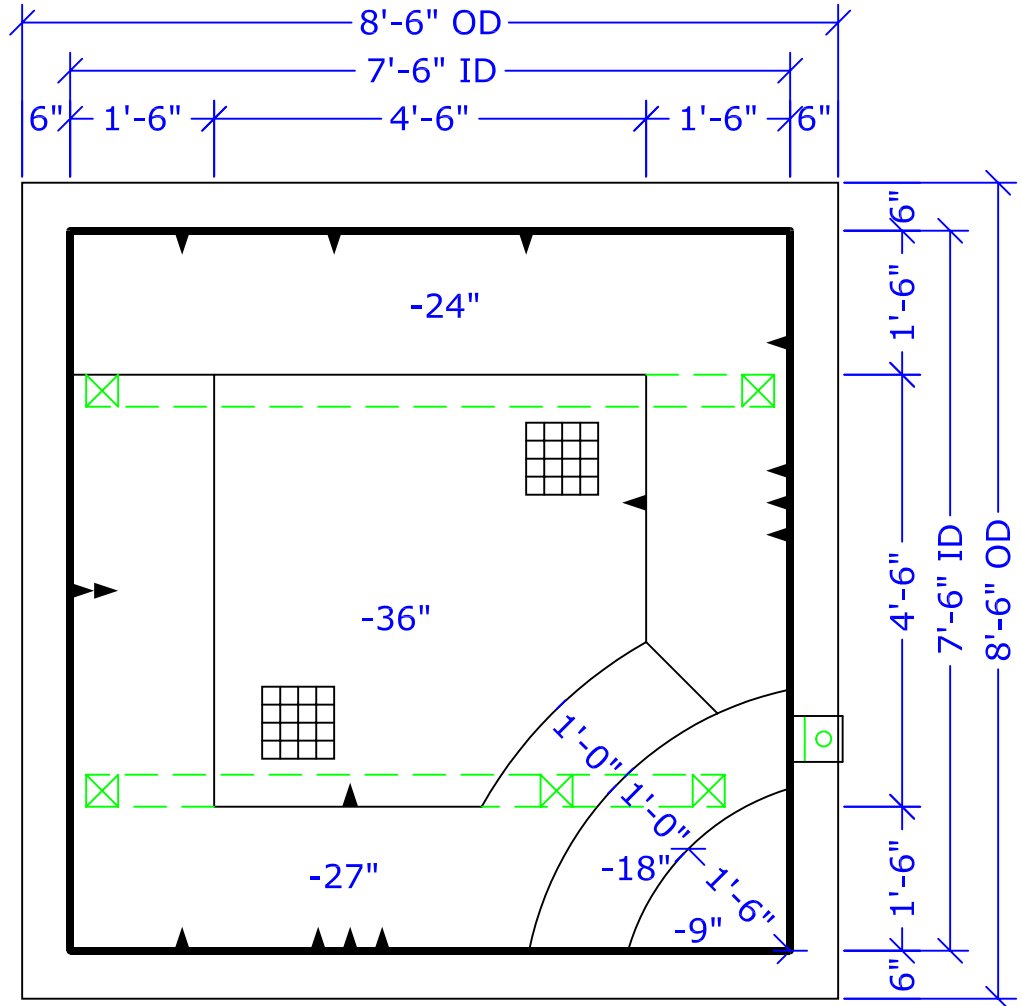
ALL DIMENSIONS SUBJECT TO 1/4" TOLERANCES

SCALE: 1/2" = 1'-0"

DATE: 6/17/03

JOB: COHEN

DR#: CHF-CHN-SD02



NESPA ENTERPRISES INC.

2800 Richter Ave, Suite C
 Oroville, CA 95966
 Office: (888) 479-4677 Fax: (530) 534-9915
 E-Mail: sales@tiledspas.com www.tiledspas.com

CARIBBEAN

SPA DETAIL

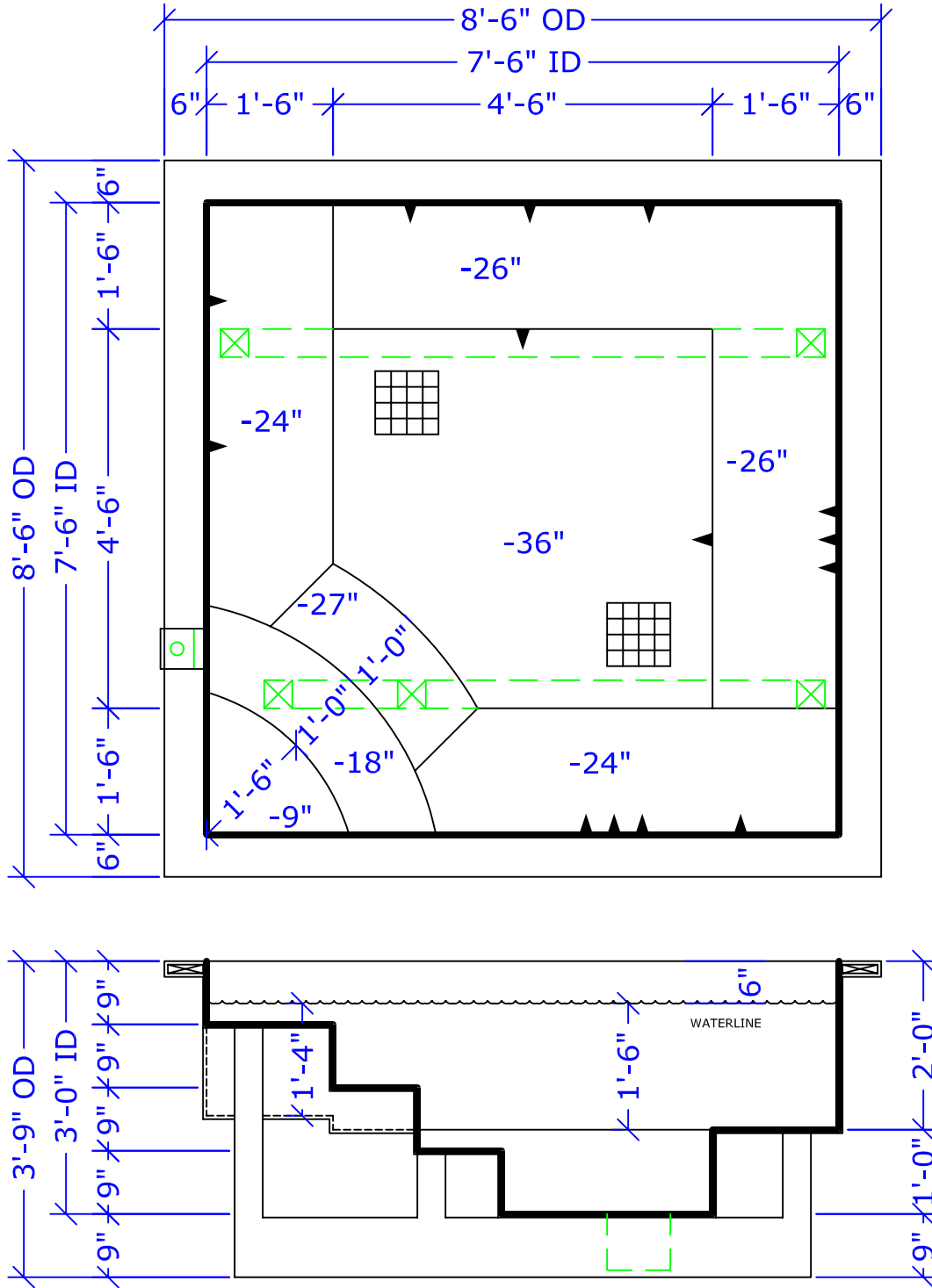
ALL DIMENSIONS SUBJECT TO 1/4" TOLERANCES

SCALE: 1/2" = 1'-0"

DATE: 6/17/03

JOB: COHEN

DR#: CHF-CHN-SD02



NESPA ENTERPRISES INC.

2800 Richter Ave. Suite E

Oroville, CA 95966

Office: (888) 479-4677 Fax: (530) 534-9915

E-Mail: sales@tiledspas.com www.tiledspas.com

CARIBBEAN

JET LOCATION

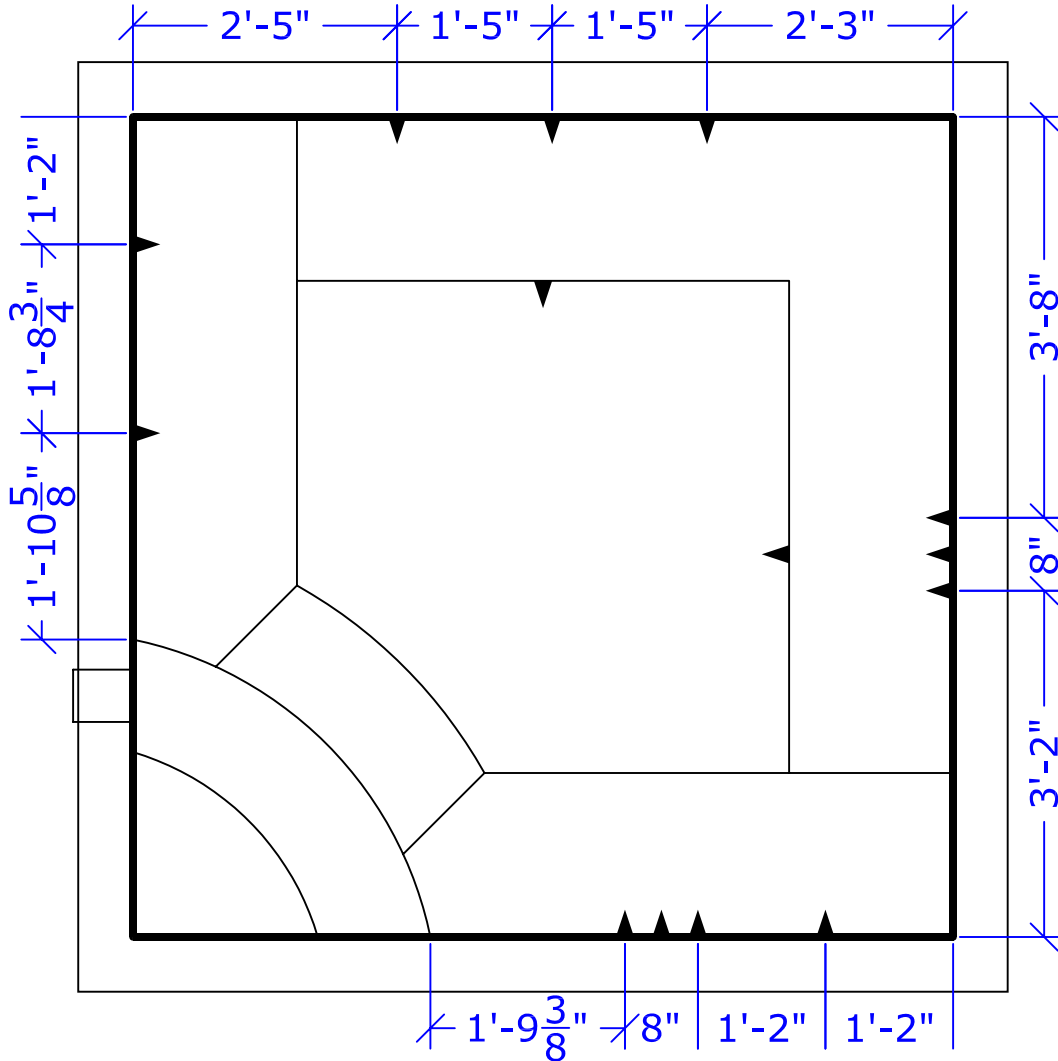
ALL DIMENSIONS SUBJECT TO 1/4" TOLERANCES

SCALE: 1/2" = 1'-0"

DATE: 4/18/03

JOB:

DR#: CHF-CHN-JL01



NESPA ENTERPRISES INC.

2800 Richter Ave. Suite E

Oroville, CA 95966

Office: (888) 479-4677 Fax: (530) 534-9915

E-Mail: sales@tiledspas.com www.tiledspas.com

CARIBBEAN

TILE LOCATION

SCALE: 1/2" = 1'-0"

DATE: 6/17/03

JOB: COHEN

DR#: CHF-CHN-TL01

ALL DIMENSIONS SUBJECT TO 1/4" TOLERANCES

