

# PLAN APPROVAL DOCUMENTATION

## DRAWING REVISION HISTORY

### SHEET 1 - SD (Spa Detail)

REV NOTE: 11-20 Revised steps and jets

REV NOTE: 11-21 Revised Spa size and Bench height

REV NOTE: 12-03 Revised Spa size

### SHEET 2 - SPA Layout

REV NOTE:

### SHEET 3 - SPA Fab 1

REV NOTE:

I approve the above drawings  \_\_\_\_\_ Date: \_\_\_\_\_

Any changes to these plans from here forward shall be directed in writing to Nespa.

## SPA FABRICATION AUTHORIZATION

Nespa's engineering and structural manufacturing departments may find it necessary to make slight adjustments (= 1") to your spa.

This may include the size of the spa (OD/ID), tile cuts, depths, jet location, bench steps etc. These adjustments must be made in the primary stages of building the spa. The adjustments are generally made to ad structural and aesthetic integrity to the vessel. IE: balance of supporting gussets (exterior) and less tile cuts/ symmetrical cuts, grout lines, etc. (interior)

Please initial next to the following number that describes your project needs.

- \_\_\_\_\_ 1. YES, I understand adjustments need to be made. Nespa will use their expertise to make these adjustments as needed. I give them the authority to make changes. I will receive final accurate drawings prior to receipt of spa or spa hole construction (if changes were made to the size)
- \_\_\_\_\_ 2. NO, No changes can be made even under 1". Dimensions are fixed. More tile cuts may be needed, Structural supports may be altered to accommodate.
- \_\_\_\_\_ 3. Nespa will need to contact us for any changes to spa dimensions prior to continued spa fabrication.

### NESPA ENTERPRISES INC.

2800 Richter Ave. Suite C Oroville, CA 95966

Office: (530) 534-9910

Fax: (530) 534-9915

E-Mail: [sales@tiledspas.com](mailto:sales@tiledspas.com) Web Site: [www.tiledspas.com](http://www.tiledspas.com)



DWG NAME

HAYES

DWG TYPE

REV

SCALE

N/A

DATE

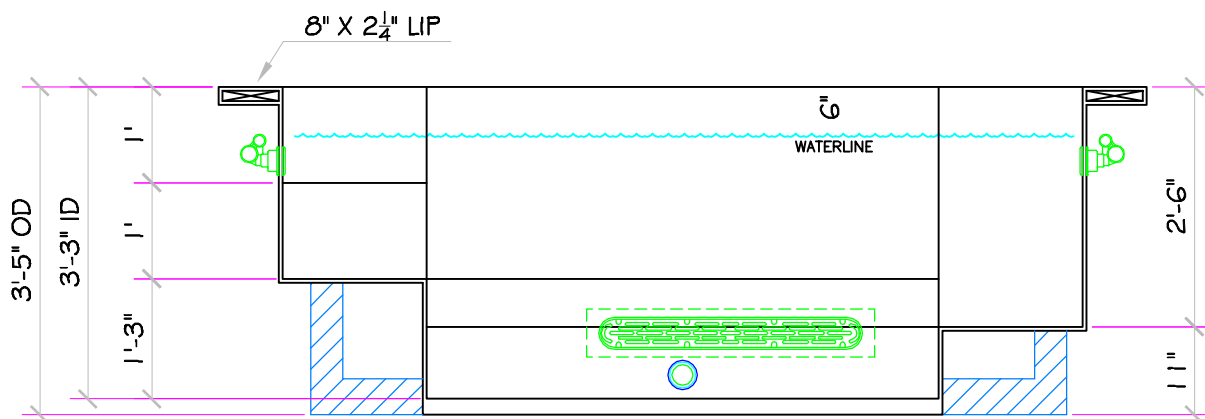
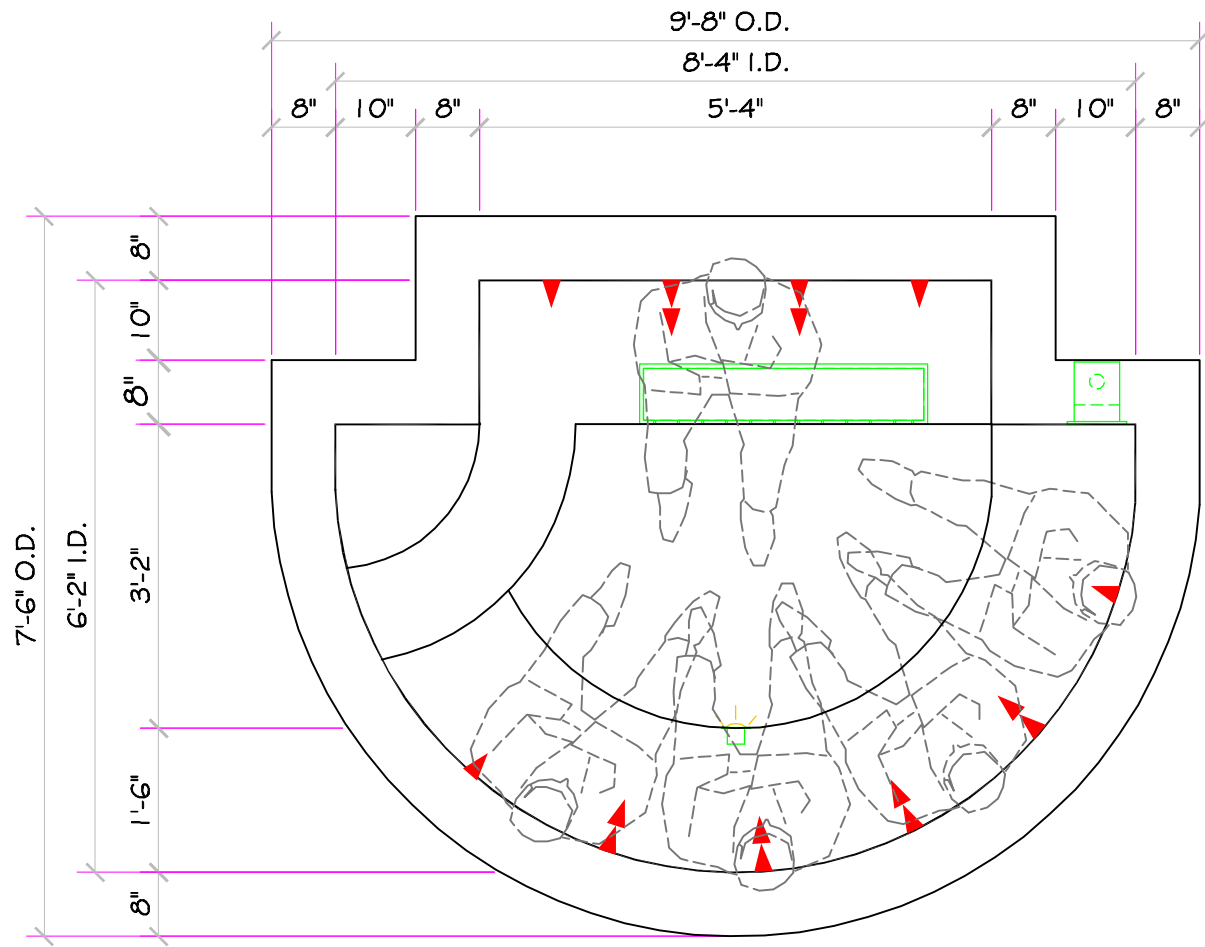
12/3/2008

SHEET

Revision History

These drawings, concepts, and details contained herein are the original proprietary designs of NESPA ENTERPRISES, developed over many years of experience in the pool and spa industry and as such are protected by the copyright laws of the United States Government. Reproduction of any of the above without written permission to do so by NESPA ENTERPRISES, is illegal.

SPECIFICATIONS	
WEIGHT:	1900 LBS.
WEIGHT:	10568 LBS.
WATER:	1040 GAL.
VOLUME:	139 Cu.Ft.
WEIGHT:	8668 LBS.
CE AREA:	39 SQ. FT.
IAPMO#:	1138
FDA#:	2030305



\*ALL DIMENSIONS SUBJECT TO 1/4" TOLERANCES\*

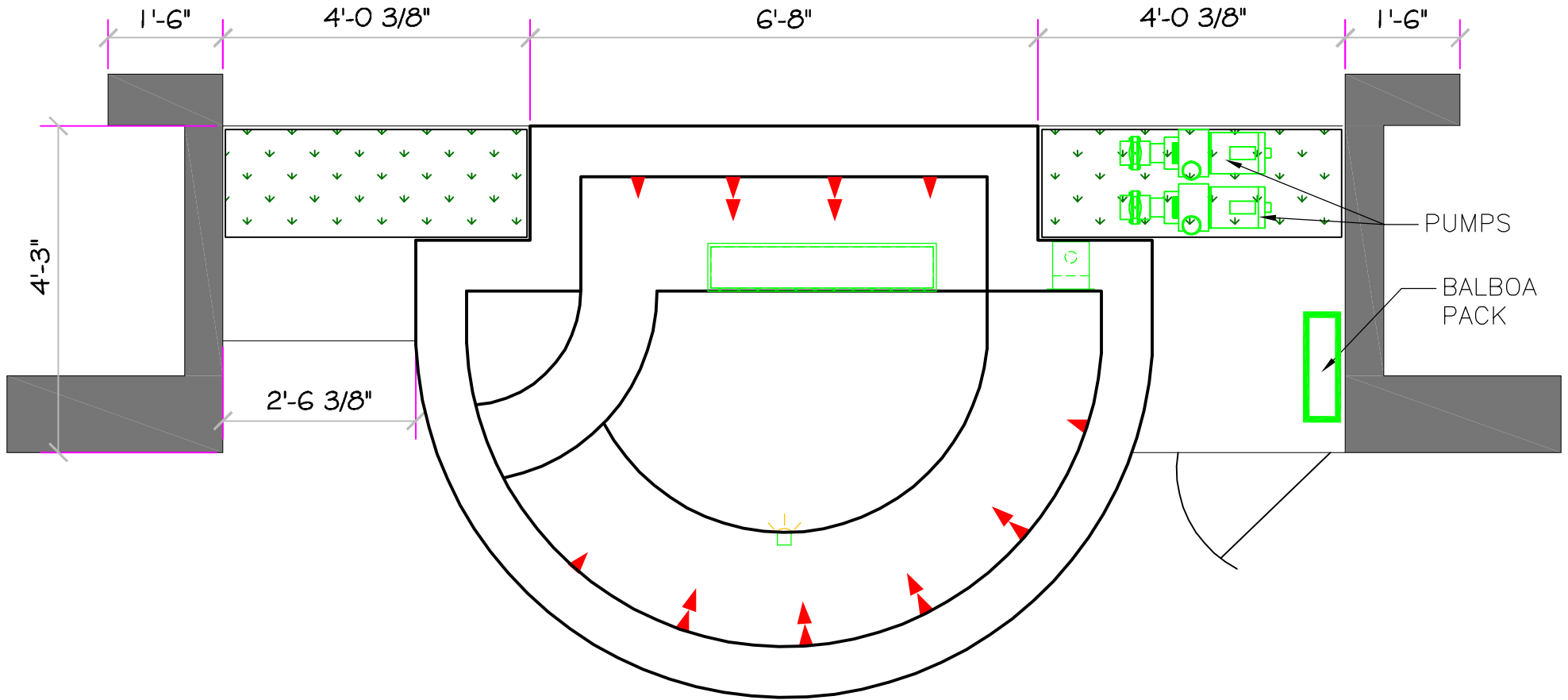
Mar 19, 2009 - 1:28pm

These drawings, concepts, and details contained herein are the original proprietary designs of NESPA ENTERPRISES, developed over many years of experience in the pool and spa industry and as such are protected by the copyright laws of the United States Government. Reproduction of any of the above without written permission to do so by NESPA ENTERPRISES, is illegal.

**NESPA ENTERPRISES INC.**  
 2800 Richter Ave. Ste. C Oroville, CA 95966  
 Office: (530) 534-9910 Fax: (530) 534-9915  
 E-Mail: [sales@tiledspas.com](mailto:sales@tiledspas.com) Web Site: [www.tiledspas.com](http://www.tiledspas.com)



SIZE A	DWG NAME HAYES	DWG TYPE SD6
SCALE 1/2" = 1'	DATE 2/13/2009	SHEET PAGE 1 OF 2



\*ALL DIMENSIONS SUBJECT TO 1/4" TOLERANCES\*

Mar 19, 2009 - 1:28pm

These drawings, concepts, and details contained herein are the original proprietary designs of NESPA ENTERPRISES, developed over many years of experience in the pool and spa industry and as such are protected by the copyright laws of the United States Government. Reproduction of any of the above without written permission to do so by NESPA ENTERPRISES, is illegal.

**NESPA ENTERPRISES INC.**

2800 Richter Ave. Ste. C Oroville, CA 95966

Office: (530) 534-9910

Fax: (530) 534-9915

E-Mail: [sales@tiledspas.com](mailto:sales@tiledspas.com) Web Site: [www.tiledspas.com](http://www.tiledspas.com)



SIZE  
A

DWG NAME

HAYES

DWG TYPE

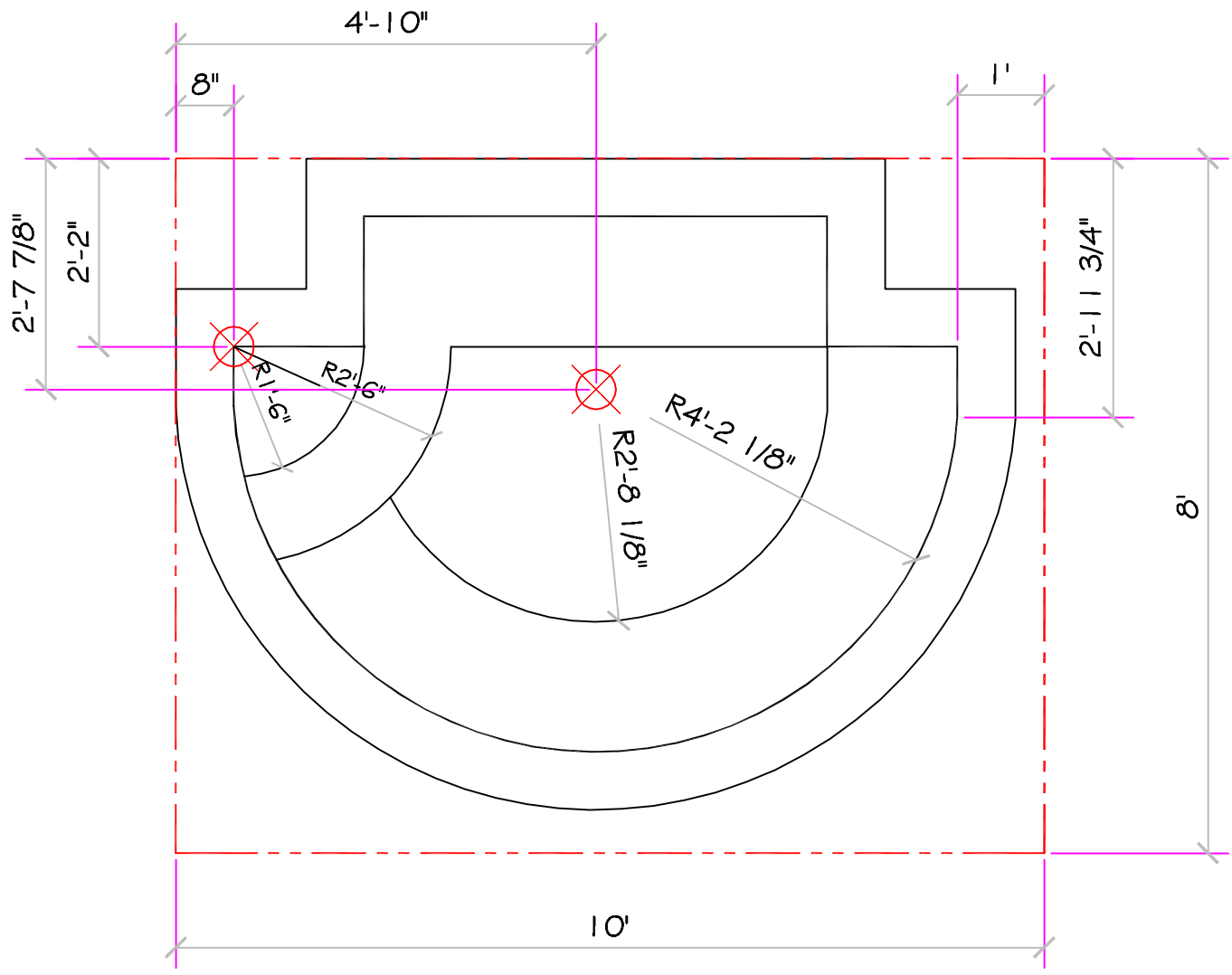
Spa Layout

SCALE 1/2" = 1'

DATE 12/3/2008

SHEET

PAGE 2 OF 3



SCALE 1/2" = 1'

PLOT TIME

Mar 19, 2009 - 1:28pm

DWG NAME

HAYES

DWG TYPE

FAB1

D10 H1

D1



D6 NB

SKD

SCALE

N/A

PLOT TIME

Mar 19, 2009 - 1:28pm

DWG NAME

HAYES

DWG TYPE

Tile