

SPECIFICATIONS	
DRY WEIGHT:	2000 LBS.
TOTAL WEIGHT:	5305 LBS.
WATER:	396 GAL.
VOLUME:	53 Cu.Ft.
WEIGHT:	3305 LBS.
SURFACE AREA:	32.1 SQ. FT.
IAPMO#:	1138
FDA#:	2030305

SKID SUPPORT STRUCTURE* BONDED TO SPA

☒ ☐

*SKIDS SUPPLIED BY NESPA

JET **FILL**

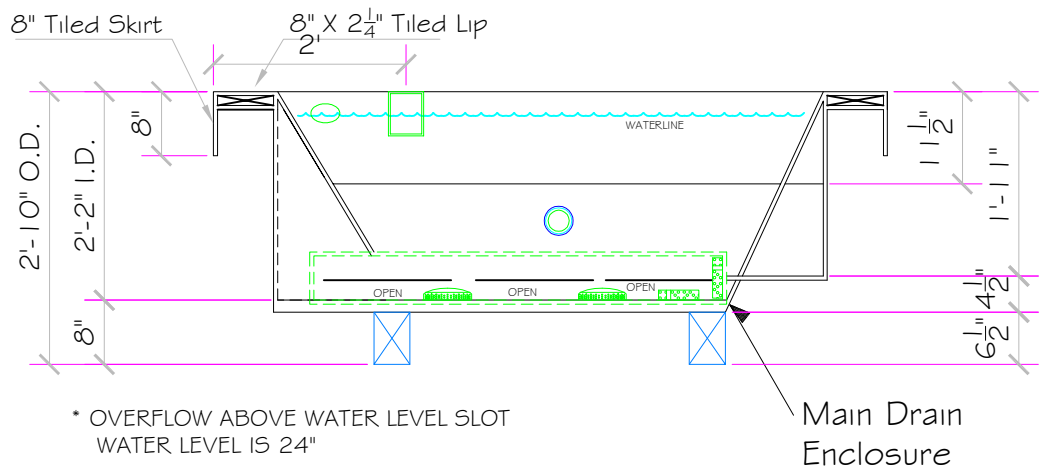
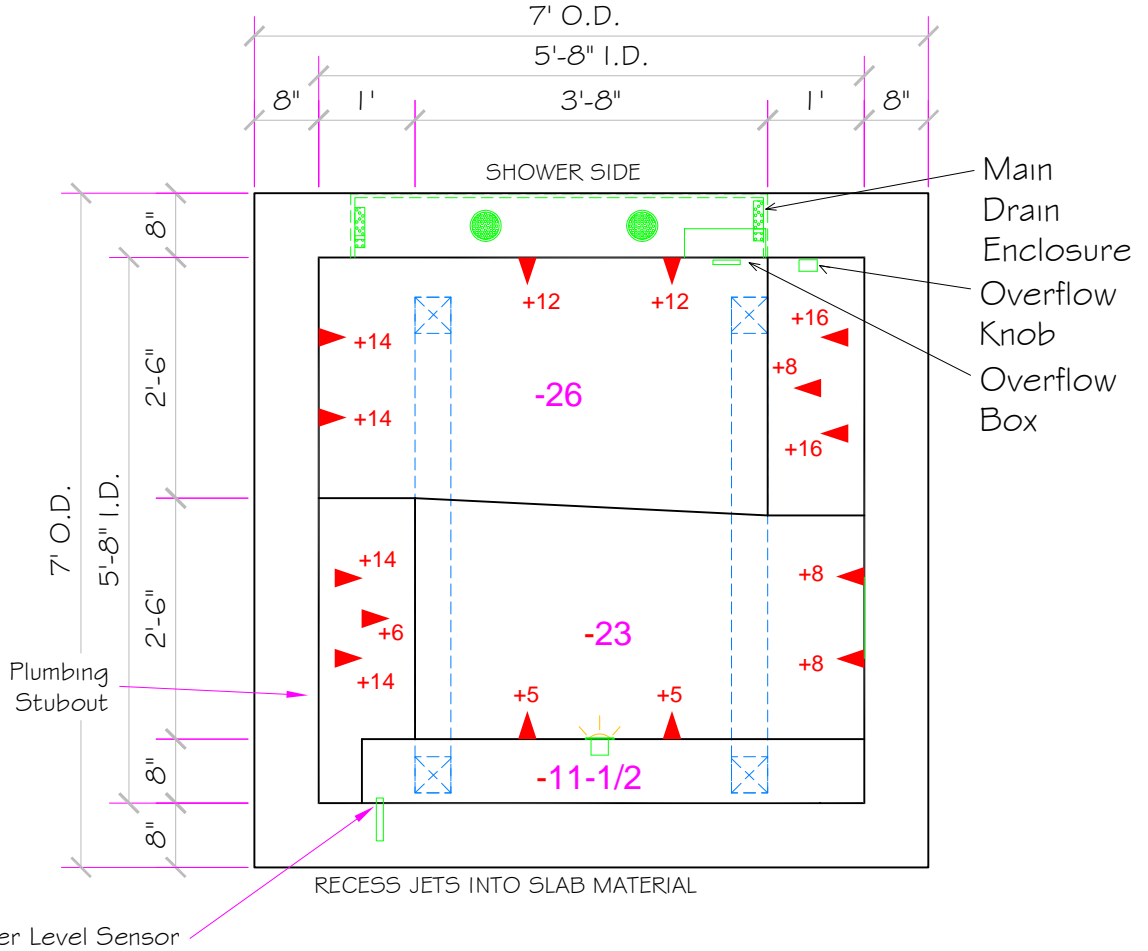
☐ ☐

SUCTION ☐

5" HIGH FLOW SUCTIONS
 WATERWAY #640-3850
 8.39 SQ. IN. OPEN AREA
 208 GPM AT 1.5 FT/SEC
 COMPLIES W/ ANSI CODE A112.19
 UL APPROVED

EQUALIZER ☐

4" EQUALIZER
 HYDROAIR #10-6806
 3.61 SQ.IN. OPEN AREA,
 COMPLIES W/ ANSI CODE A112.19



INTERIOR STONE MATERIAL TO BE: Dal Tile - Stone

ALL DIMENSIONS SUBJECT TO 1/4" TOLERANCES

NESPA ENTERPRISES INC.
 2800 Richter Ave. Suite C Oroville, CA 95966
 Office: (530) 534-9910 Fax: (530) 534-9915
 E-Mail: sales@tiledspas.com Web Site: www.tiledspas.com



SIZE A

DWG NAME J-2

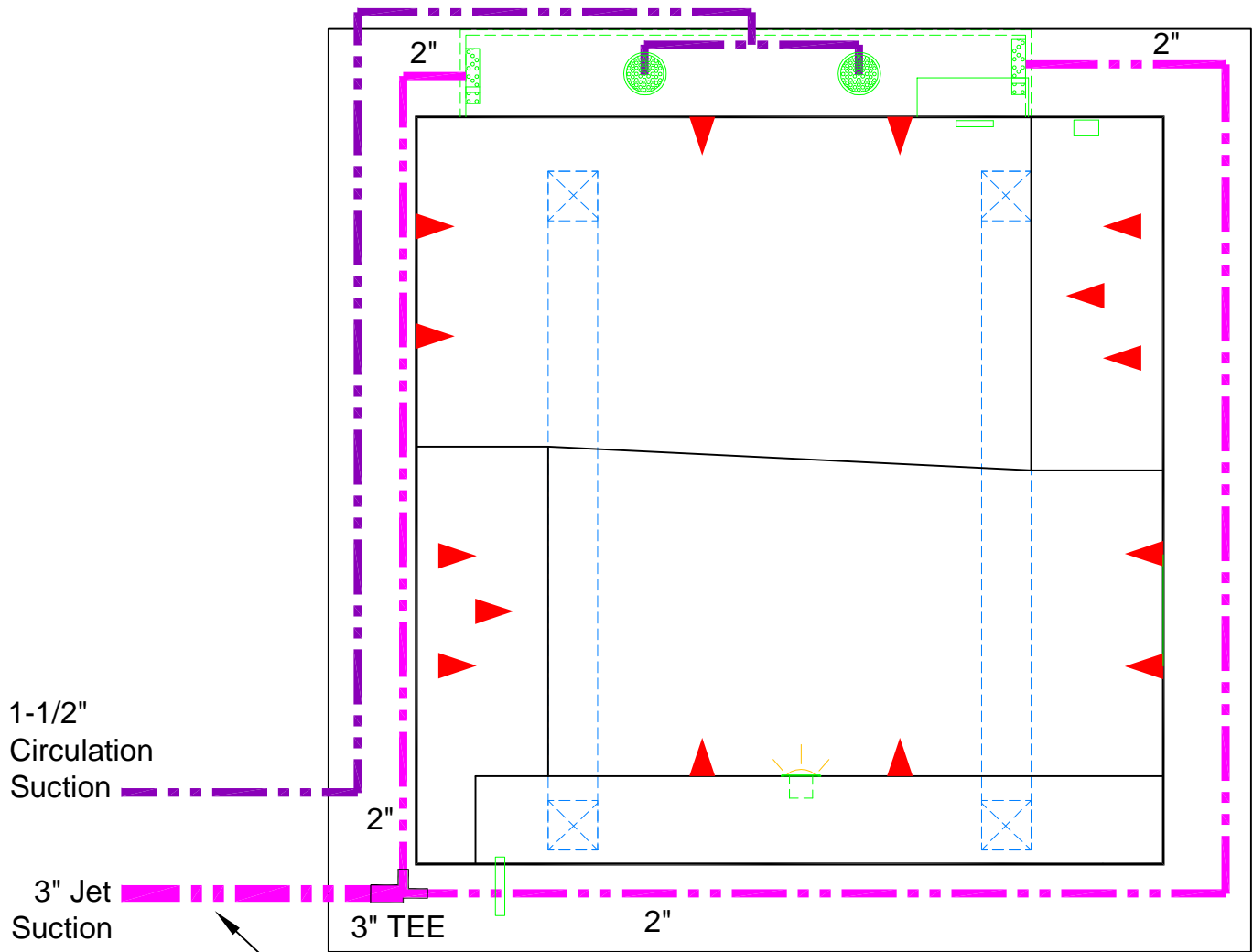
DWG TYPE SD

SCALE 1/2" = 1'

DATE 5/28/2008

SHEET PAGE 1 OF 5

These drawings, concepts, and details contained herein are the original proprietary designs of NESPA ENTERPRISES, developed over many years of experience in the pool and spa industry and as such are protected by the copyright laws of the United States Government. Reproduction of any of the above without written permission to do so by NESPA ENTERPRISES, is illegal.



1-1/2"
Circulation
Suction

3" Jet
Suction

3" TEE

2"

Plumbing will be
contained under tub lip

ALL DIMENSIONS SUBJECT TO 1/4" TOLERANCES

NESPA ENTERPRISES INC.

2800 Richter Ave. Suite C Oroville, CA 95966

Office: (530) 534-9910

Fax: (530) 534-9915

E-Mail: sales@tiledspas.com Web Site: www.tiledspas.com



SIZE
A

DWG NAME

J-2

DWG TYPE

Plumbing

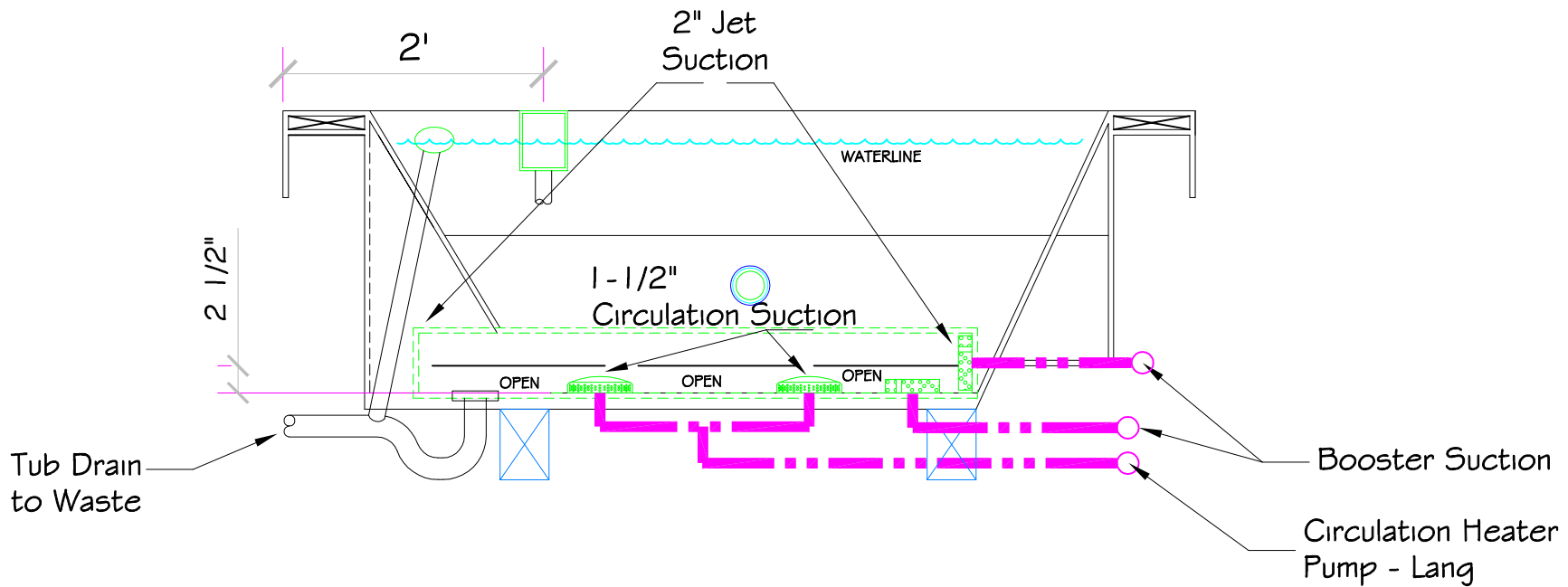
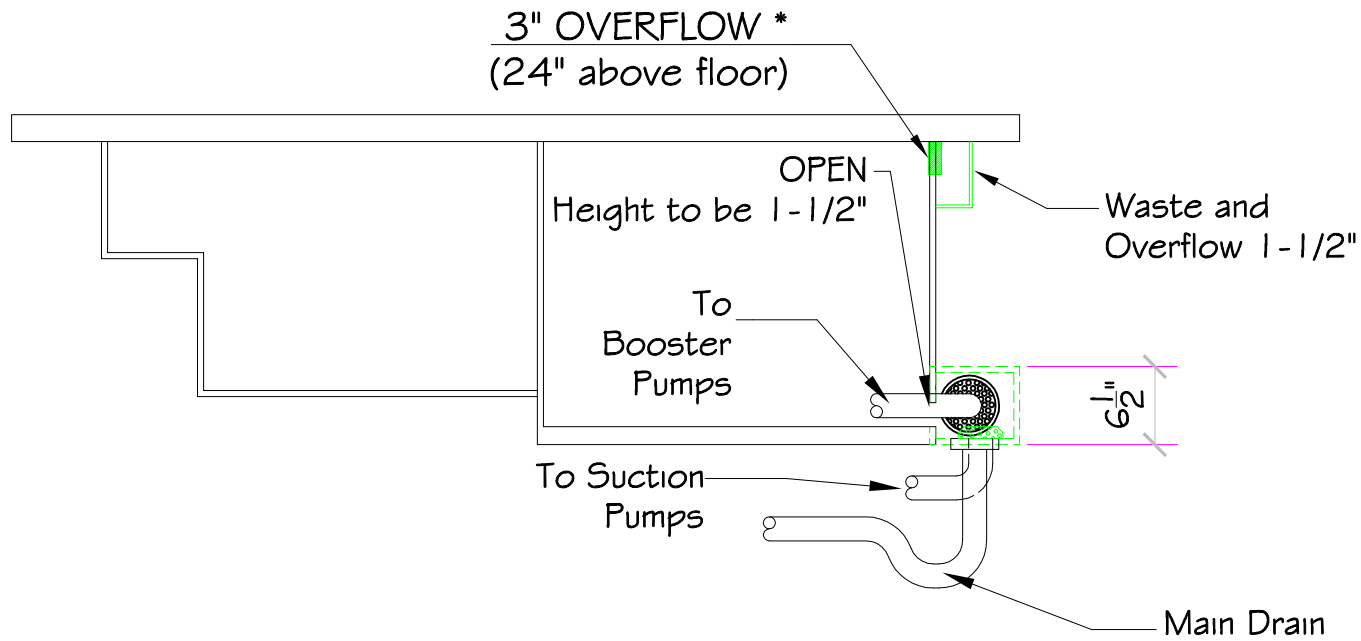
SCALE 3/4" = 1'

DATE 5/28/2008

SHEET

PAGE 2 OF 5

These drawings, concepts, and details contained herein are the original proprietary designs of NESPA ENTERPRISES, developed over many years of experience in the pool and spa industry and as such are protected by the copyright laws of the United States Government. Reproduction of any of the above without written permission to do so by NESPA ENTERPRISES, is illegal.



ALL DIMENSIONS SUBJECT TO 1/4" TOLERANCES

These drawings, concepts, and details contained herein are the original proprietary designs of NESPA ENTERPRISES, developed over many years of experience in the pool and spa industry and as such are protected by the copyright laws of the United States Government. Reproduction of any of the above without written permission to do so by NESPA ENTERPRISES, is illegal.

NESPA ENTERPRISES INC.
 2800 Richter Ave. Ste. C Oroville, CA 95966
 Office: (530) 534-9910 Fax: (530) 534-9915
 E-Mail: sales@tiledspas.com Web Site: www.tiledspas.com



SIZE
A

DWG NAME

J-2

DWG TYPE

Drain

SCALE

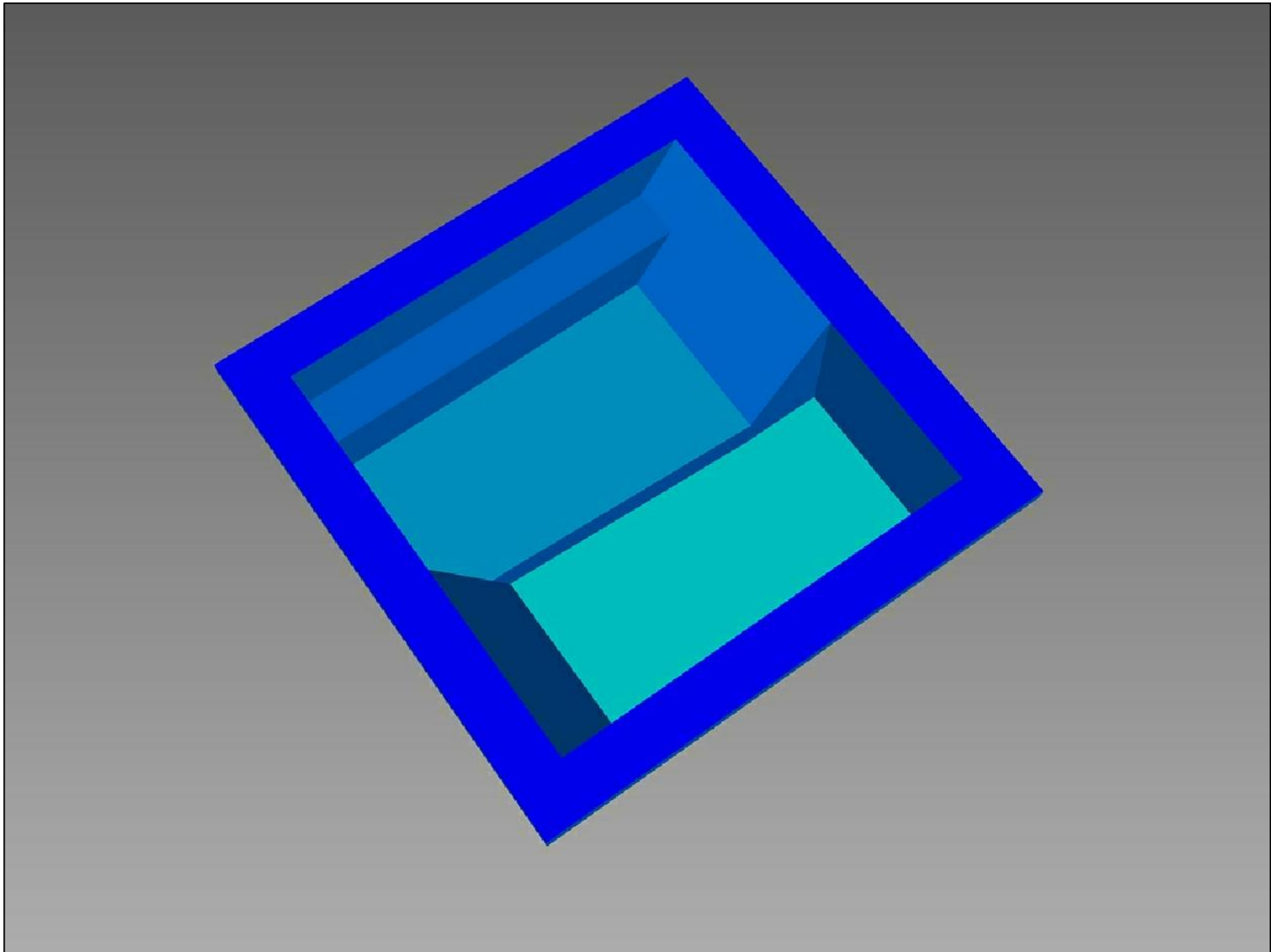
3/4" = 1'

DATE

5/28/2008

SHEET

PAGE 3 OF 5



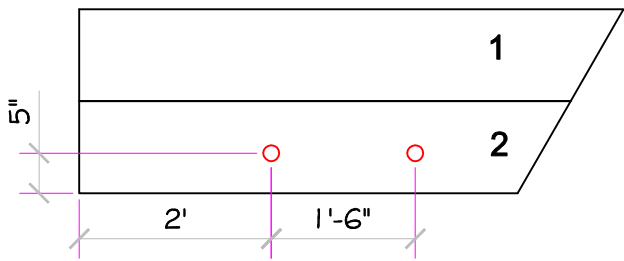
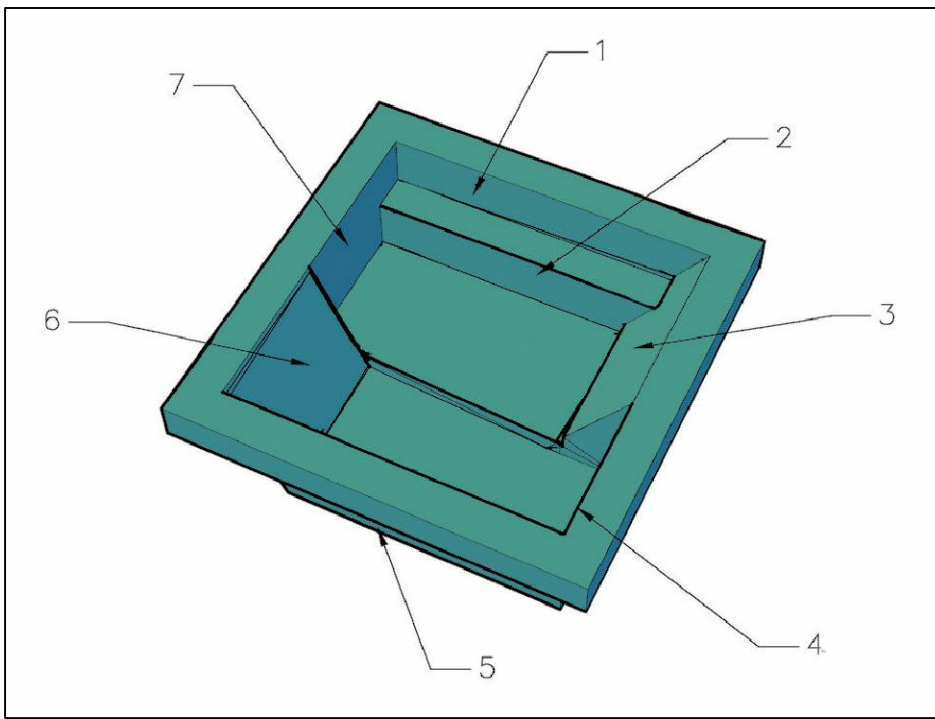
ALL DIMENSIONS SUBJECT TO 1/4" TOLERANCES

These drawings, concepts, and details contained herein are the original proprietary designs of NESPA ENTERPRISES, developed over many years of experience in the pool and spa industry and as such are protected by the copyright laws of the United States Government. Reproduction of any of the above without written permission to do so by NESPA ENTERPRISES, is illegal.

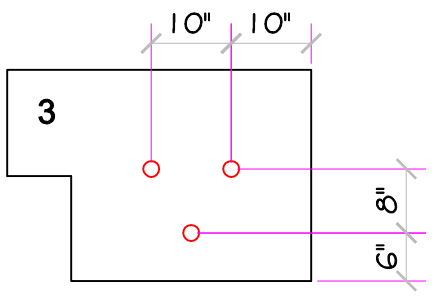
NESPA ENTERPRISES INC.
 2800 Richter Ave. Ste. C Oroville, CA 95966
 Office: (530) 534-9910 Fax: (530) 534-9915
 E-Mail: sales@tiledspas.com Web Site: www.tiledspas.com



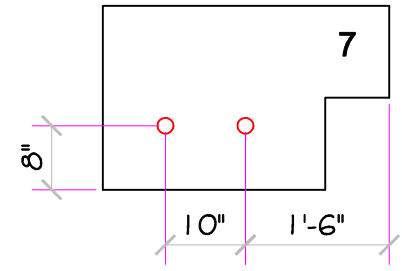
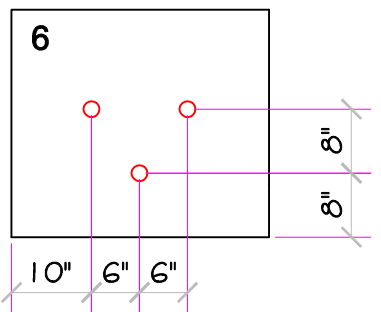
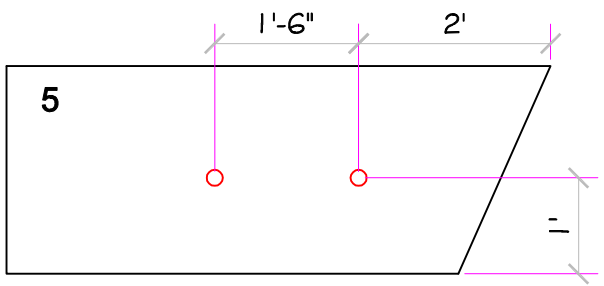
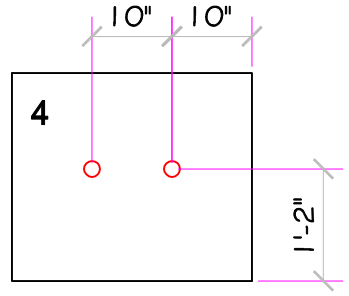
SIZE A	DWG NAME J-2	DWG TYPE Render
SCALE N/A	DATE 5/28/2008	SHEET PAGE 4 OF 5



RECESS JETS INTO SLAB MATERIAL



RECESS JETS INTO SLAB MATERIAL



ALL DIMENSIONS SUBJECT TO 1/4" TOLERANCES

These drawings, concepts, and details contained herein are the original proprietary designs of NESPA ENTERPRISES, developed over many years of experience in the pool and spa industry and as such are protected by the copyright laws of the United States Government. Reproduction of any of the above without written permission to do so by NESPA ENTERPRISES, is illegal.

NESPA ENTERPRISES INC.
 2800 Richter Ave. Ste. C Oroville, CA 95966
 Office: (530) 534-9910 Fax: (530) 534-9915
 E-Mail: sales@tiledspas.com Web Site: www.tiledspas.com



SIZE A	DWG NAME J-2	DWG TYPE Jet Location
SCALE 1/2" = 1'	DATE 5/28/2008	SHEET PAGE 5 OF 5