

NESPA ENTERPRISES INC.

2800 Richter Ave, Suite C
 Oroville, CA 95966
 Office: (888) 479-4677 Fax: (530) 534-9915
 E-Mail: sales@tiledspas.com www.tiledspas.com

6 ROUND

SPA DETAIL

ALL DIMENSIONS SUBJECT TO 1/4" TOLERANCES

SCALE: 1/2" = 1'-0"

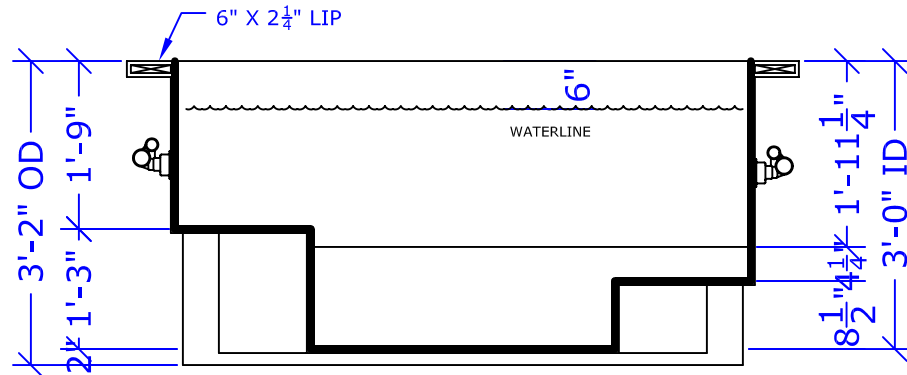
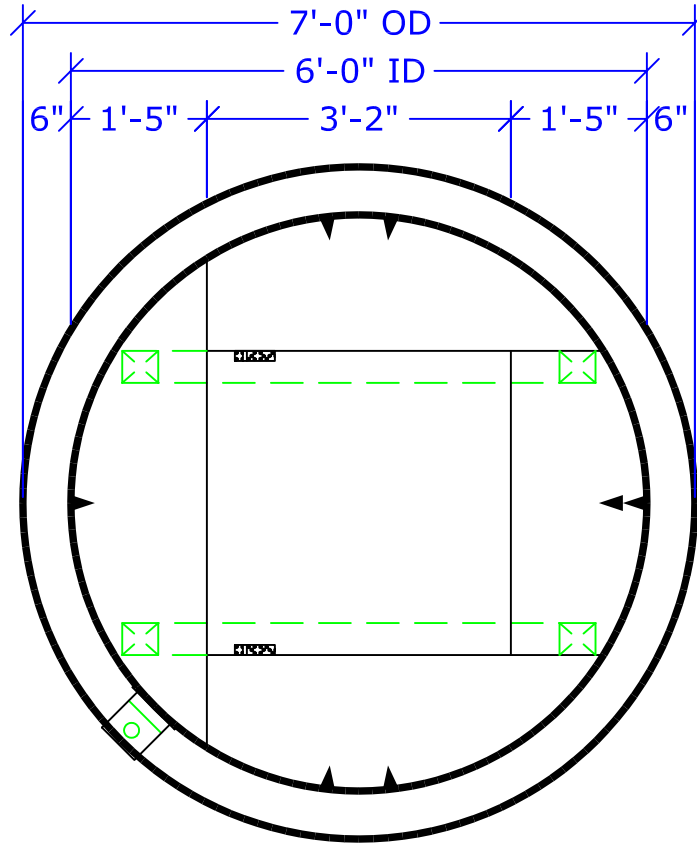
DATE: 7/23/03

JOB: RICHEY

DR#: RCH-SXR-SD02

<p>SKID SUPPORT STRUCTURE</p>
<p>SIDEWALL SUCTIONS</p> <p>9" X 9"</p>
<p>LIGHT NICH</p>
<p>JACUZZI SV FRONT ACCESS SKIMMER</p>

<p>SPECIFICATIONS</p> <p>DRY WEIGHT: 850 lbs. WET WEIGHT: 4332 lbs. WATER: 400 GALLONS SURFACE AREA: 29 sq.ft. IAPMO#: 1138 FDA#: 2030305</p>



NESPA ENTERPRISES INC.

2800 Richter Ave. Suite E

Oroville, CA 95966

Office: (888) 479-4677 Fax: (530) 534-9915

E-Mail: sales@tiledspas.com www.tiledspas.com

6 ROUND

TILE LOCATION

ALL DIMENSIONS SUBJECT TO 1/4" TOLERANCES

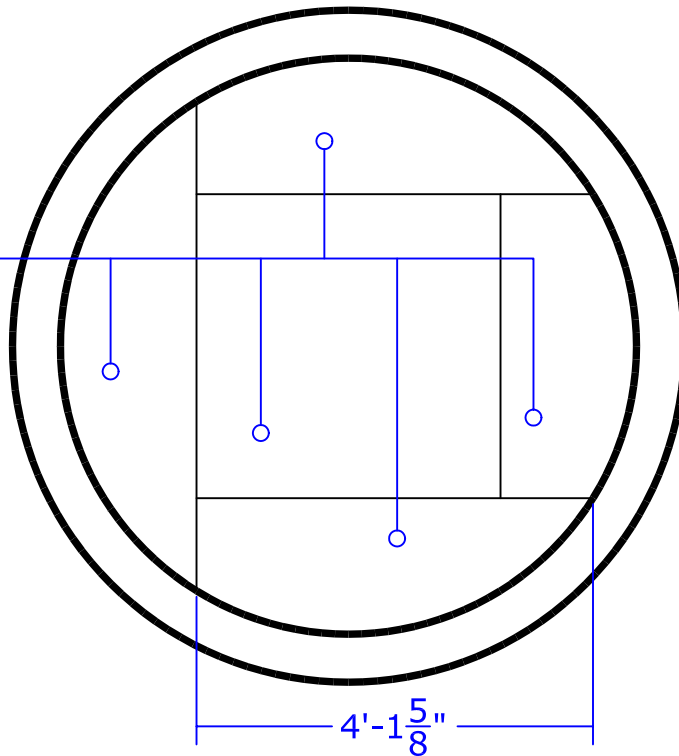
SCALE: 1/2" = 1'-0"

DATE: 7/23/03

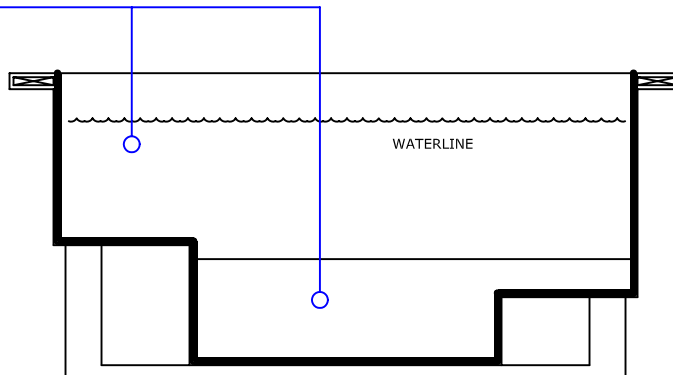
JOB: RICHEY

DR#: RCH-SXR-TL02

DAL TILE
SONTERRA SR85
NAVY BLUE 1"X1"



ORIGINAL PISAZZA 1"X1"



NESPA ENTERPRISES INC.

2800 Richter Ave. Suite E

Oroville, CA 95966

Office: (888) 479-4677 Fax: (530) 534-9915

E-Mail: sales@tiledspas.com www.tiledspas.com

6' ROUND

PLUMBING DETAIL

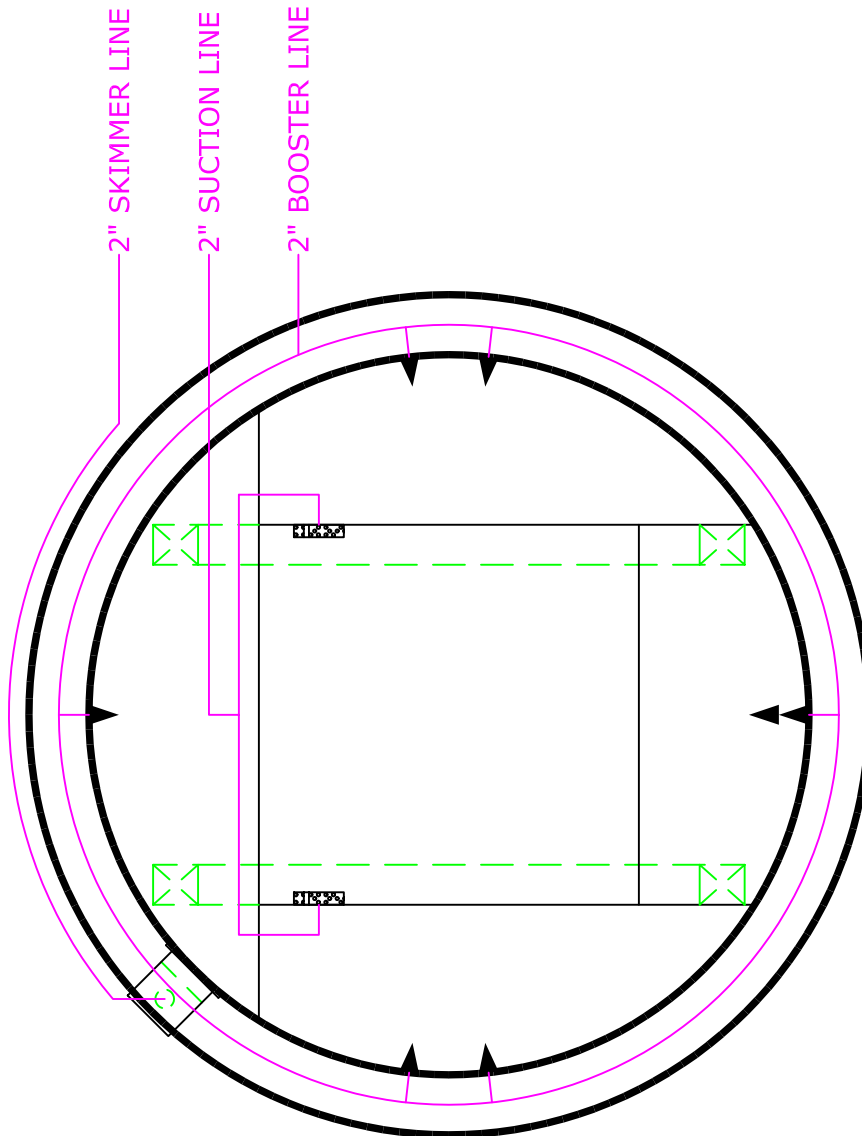
ALL DIMENSIONS SUBJECT TO 1/4" TOLERANCES

SCALE: 5/8" = 1'-0"

DATE: 7/30/03

JOB: RICHEY

DR#: RCH-SXR-PD01



NESPA ENTERPRISES INC.

2800 Richter Ave. Suite E
Oroville, CA 95966

Office: (888) 479-4677 Fax: (530) 534-9915
E-Mail: sales@tiledspas.com www.tiledspas.com

6 ROUND

JET LOCATION

ALL DIMENSIONS SUBJECT TO 1/4" TOLERANCES

SCALE: 1/2" = 1'-0"

DATE: 7/28/03

JOB: RICHEY

DR#: RCH-SXR-JL01

