



32" Channel Drain Flat Grate Anti-Entrapment Suction Outlet Cover and Frame

VGB Series

Product Specification Sheet

The AquaStar line of suction outlet covers compliant with the new Virginia Graeme-Baker Pool and Spa Safety Act (ASME/ANSI A112.19.8-2007)

Features

A Single, Unblockable Suction Outlet that Exceeds the New VGB Mandate and ASME/ANSI A112.19.8-2007 Standard

For Single or Multiple Drain Use (See Installation Instructions for Plumbing, Hydrostatic Valve/ Drain Pipe & Single or Multi-Pump Connections)

Single:
Floor: 316 GPM at 3.9 fps
Wall: 208 GPM at 2.6 fps

Dual:
Floor: 632 GPM at 3.9 fps
Wall: 416 GPM at 2.6 fps
Floor: 242 GPM at 1.5 fps

25.9 sq. in. Opening

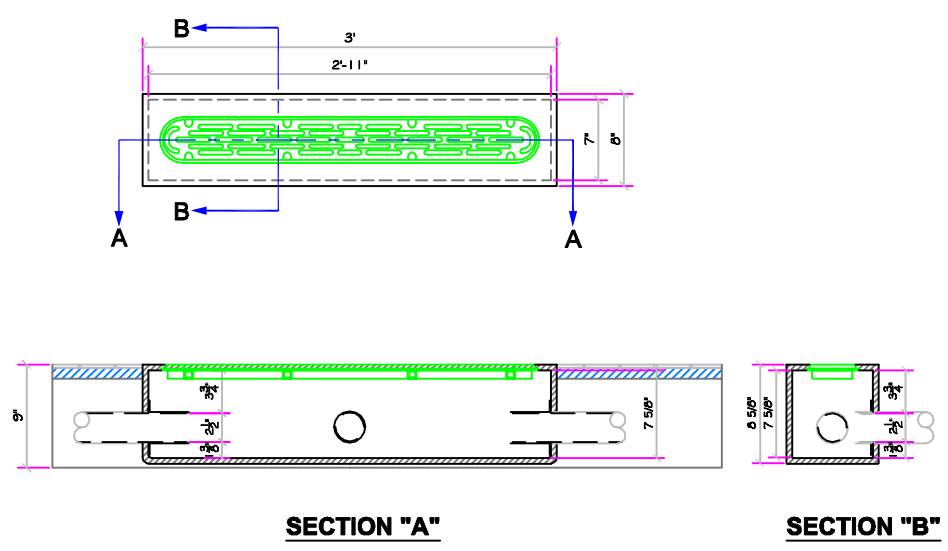
#316 Stainless Steel Screws

Manufactured from Super Strong UV Resistant ABS/ASA Material

Meets or Exceeds ASME/ANSI A112.19.8-2007 National Standards and ASTM G154 UV Testing

Listed with IAPMO R&T

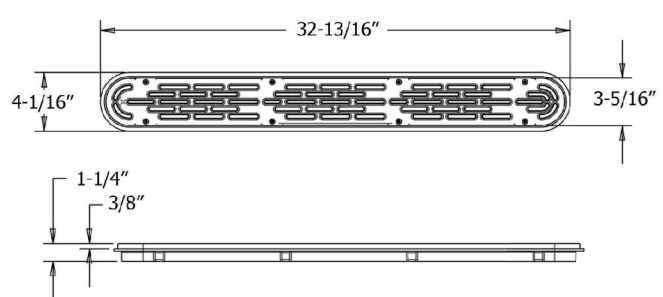
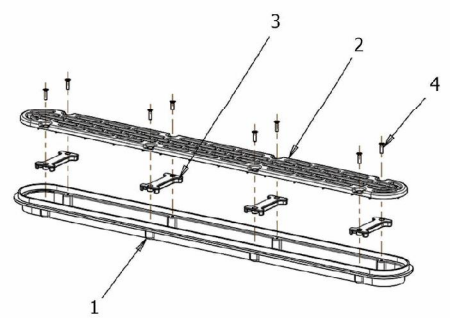
12 Per Case



Part#:



- 32CDFLFR101 White
- 32CDFLFR102 Black
- 32CDFLFR103 Lt. Gray
- 32CDFLFR104 Blue
- 32CDFLFR105 Dark Gray
- 32CDFLFR106 Bone
- 32CDFLFR107 Taupe
- 32CDFLFR108 Tan



1. 32" Channel Drain, Flat, No Sump, Frame
2. 32" Channel Drain, Flat, No Sump, Cover
3. 32" Channel Drain, Flat, No Sump, Support
4. #10 Flat Head Phillips Screw QTY. 8

ALL DIMENSIONS SUBJECT TO 1/4" TOLERANCES

Dec 05, 2008 - 10:08am

NESPA ENTERPRISES INC.
2800 Richter Ave. Suite C Oroville, CA 95966
Office: (530) 534-9910 Fax: (530) 534-9915
E-Mail: sales@tiledspas.com Web Site: www.tiledspas.com



DWG NAME	STRIP DRAIN DETAIL		DWG TYPE	SD
SCALE	N/A	DATE	12/5/2008	SHEET PAGE 1 OF 1

These drawings, concepts, and details contained herein are the original proprietary designs of NESPA ENTERPRISES, developed over many years of experience in the pool and spa industry and as such are protected by the copyright laws of the United States Government. Reproduction of any of the above without written permission to do so by NESPA ENTERPRISES, is illegal.