



Designed, Engineered, and
Manufactured in the U.S.A.

Subscribe Here for Special Offers & Promotions

- Home
- News
- Products
- Marketing Materials
- Resources
- Distributor Locator
- Contact



Top-Load Filters

Return to Filters and Skimmers



Specifications

5.5" Filter Features

- Top Load Filter
- 20 Sq. Ft. 2 7/8" X 19.5" Cartridge
- 1" Socket IN/OUT
- 1" Check Valve
- PVC Construction

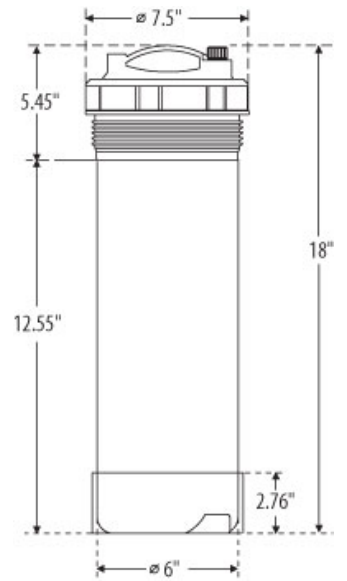


3600



2500

Custom sizes available.
Please contact your Waterway sales representative.



500-

5.5" Top-Load Filters

Part No.	Description
510-3600	1" – 20 sq. ft. Cartridge with Bypass Valve

7.5" Top-Load Filters

Part No.	Description
500-2500	1 1/2" – 25 sq. ft. Cartridge with Plug
500-2510	1 1/2" – 25 sq. ft. Cartridge with Bypass Valve

500-2540	1 1/2" – 25 sq. ft. Cartridge with Plug and 10-Tablet Brominator
500-2550	1 1/2" – 25 sq. ft. Cartridge with Bypass Valve and 10-Tablet Brominator
500-5000	1 1/2" – 50 sq. ft. Cartridge with Plug
500-5010	1 1/2" – 50 sq. ft. Cartridge with Bypass Valve
500-5050	1 1/2" – 50 sq. ft. Cartridge with Bypass Valve and 10-Tablet Brominator
500-6010	1 1/2" – without Cartridge – with Bypass Valve
500-6050	1 1/2" – without Cartridge – with Bypass Valve and 10-Tablet Brominator
502-2500	2" – 25 sq. ft. Cartridge with Plug
502-2510	2" – 25 sq. ft. Cartridge with Bypass Valve
502-2530	2" – 25 sq. ft. Cartridge with Bypass Valve and Flow Restriction Tube
502-2550	2" – 25 sq. ft. Cartridge with Bypass Valve and 10-Tablet Brominator
502-5000	2" – 50 sq. ft. Cartridge with Plug
502-5010	2" – 50 sq. ft. Cartridge with Bypass Valve
502-5030	2" – 50 sq. ft. Cartridge with Bypass Valve and Flow Restriction Tube
502-5050	2" – 50 sq. ft. Cartridge with Bypass Valve and 10-Tablet Brominator

Products

Pool

Air Systems
 Chlorinators
 Drains & Suctions
 Filters & Filter Systems
 Gunite Jets

Hose & Tubing
 Pumps
 Skimmers & Skim Filters
 Unions
 Valves

Wet Ends & Bases
 White Goods

Hot Tub

Spa Packs
 Air Controls
 Air Injectors & Blowers
 Drains & Suctions
 Ells/Tees/Wyes
 Filters & Skimmers

Hose & Tubing
 Jets
 Lighting
 Manifolds
 Pumps & Bases

Slice & Gate Valves
 Speakers
 Top Side Valves
 Unions
 Water Features

Company Information

Contact Us
 Find a Distributor
 News

Resources

Drain Cover Safety
 Help & Support
 FAQ
 Find a Sales Rep
 Marketing Materials
 Recall
 Rebates
 Careers

Location

2200 East Sturgis Road
 Oxnard, California 93030
 Phone: 805-981-0262
 Fax: 805-981-9403
 Toll Free Fax: 888-SPA-JETS (888-772-5387)



[Terms of Use](#) | [Privacy Policy](#)

Copyright © 2007–2011 Waterway Plastics, Inc. All rights reserved.