



A compact system for space-saving installations

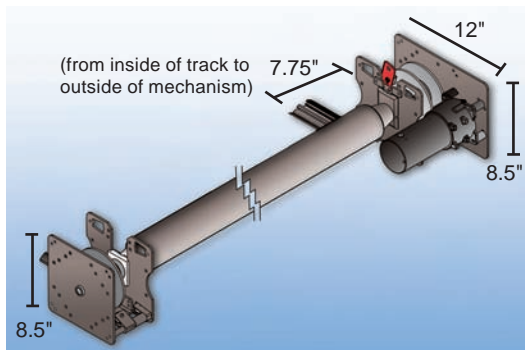
The **Autosave spa cover** is designed for pools or spas up to a track space of 10 feet, up to a track length of 20 feet, and up to a total area of 200 square feet*. The compact motor and mechanism reduce the space required for an automatic cover system.

BENEFITS

- Takes up less space than traditional systems
- For above and in-ground spas
- Can be shipped in a 10-foot carton via UPS or FedEx
- Mechanism can be resized on site with a simple adjustment to accommodate different track space sizes—you can stock one size to simplify inventory

FEATURES

- Hardened-steel gears encased in permanent grease
- Mechanism includes marine-grade anodized aluminum brackets
- Exclusive positive-shift system
- Can be mounted above or below the deck
- Motor pulls less than two amps
- Requires only 8" on sides from spa edge for installation

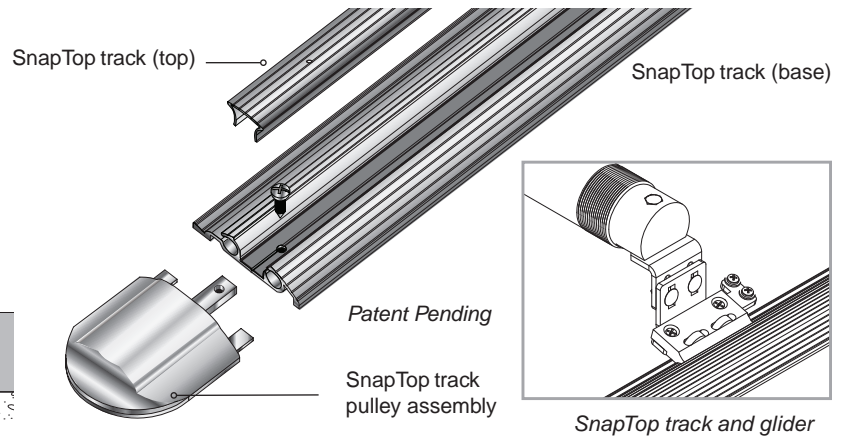
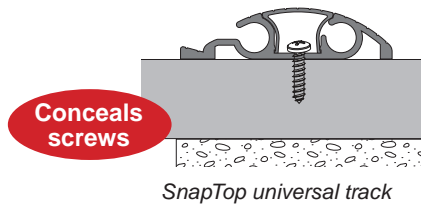


*The maximum track space of the Autosave spa cover is 13 feet. However, the maximum square footage for proper mechanical function is 200 square feet. For example, if the system is designed at a track space of 13 feet and a track length of 15 feet, then this would fit within the acceptable square footage: 13 ft. x 15 ft. = 195 sq. ft.

For track spaces over 10 feet, there is an additional charge and the system cannot be shipped via UPS or FedEx.

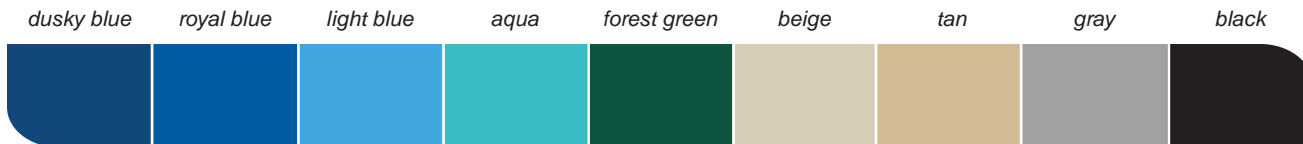
SnapTop™ track

- Exclusive two-piece system for an enhanced track appearance
- Screws are concealed from view
- High-performance glider replaces wheels



Fabric

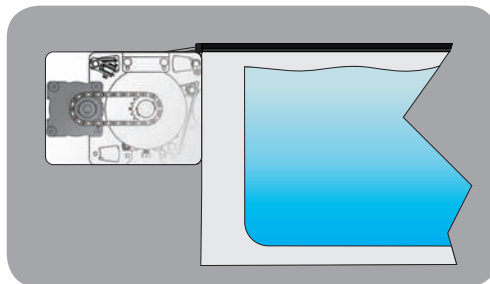
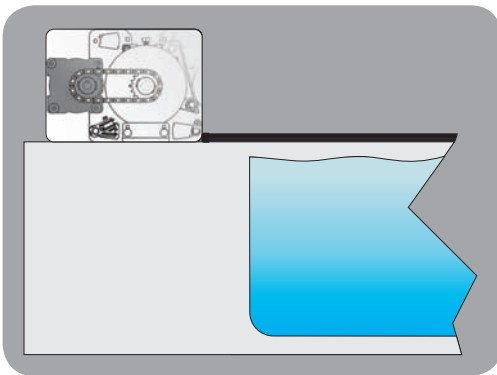
Choose from nine standard colors shown below. More colors are available in special-order vinyl.
Please see actual fabric sample when making color choice. Colors may vary.



Options for installing the mechanism and motor

Deck mounted (above the deck)

Recessed (below the deck)



(This type of recessed installation using Underside™ track is only for dealers who have received training.)

Covering the mechanism

Mechanism end covers

Bracket for bench

Lid system

