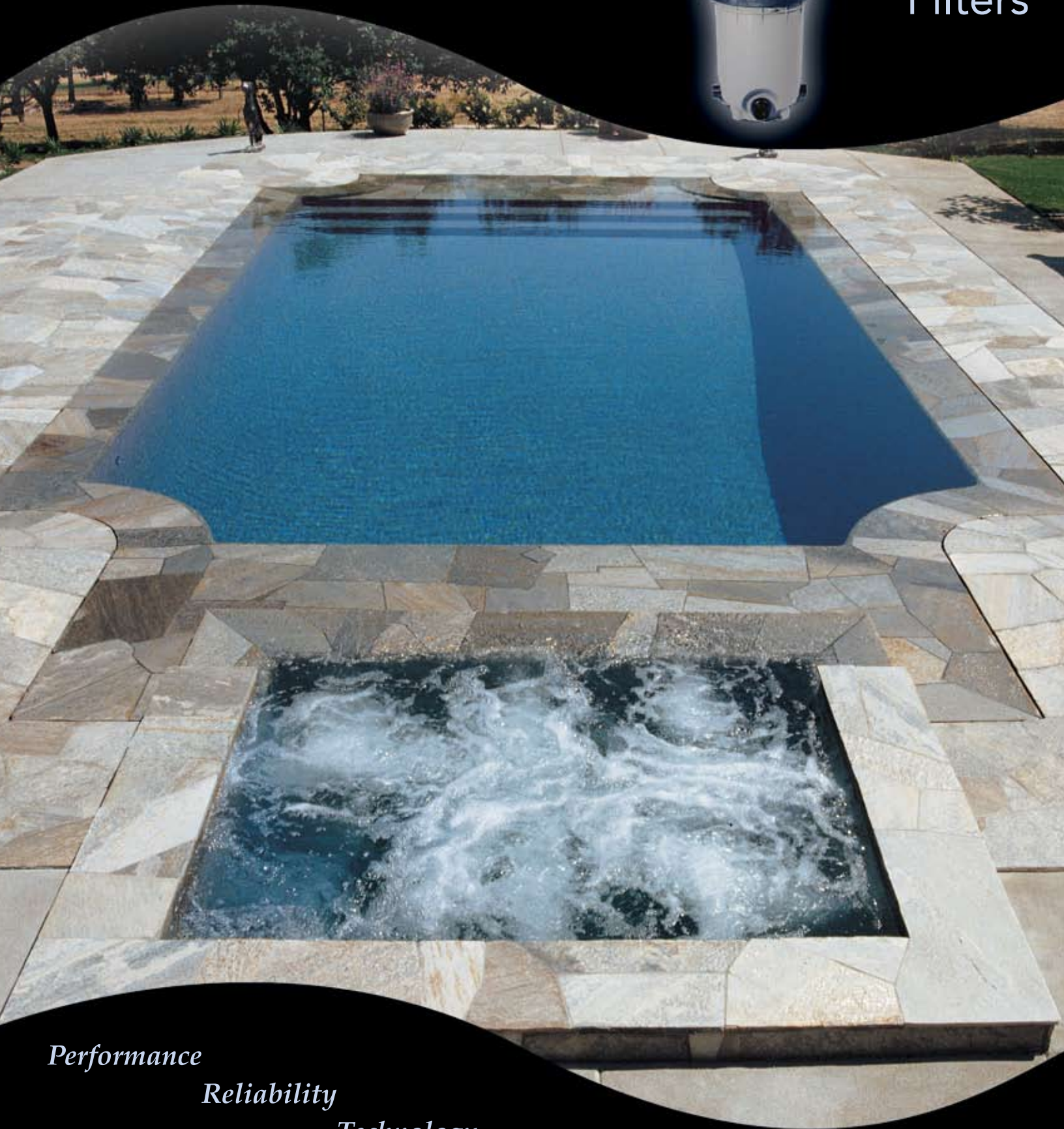


Jandy®



CJ Series  
Cartridge  
Filters



*Performance*

*Reliability*

*Technology*



# Jandy CJ Series Filters

*Setting the benchmark for single element filters*

The CJ Series line of Jandy cartridge filters are available in two sizes; 200 and 250 ft<sup>2</sup> models. Their attractive, slim design will fit easily into tight pool equipment areas.

The CJ cartridge filter tanks are constructed of high impact, corrosion and UV resistant thermoplastic that can weather even the harshest operating conditions.

## USER-FRIENDLY DESIGN

- Easy-grip tank handles for ease of service.
- Innovative lock ring design with safety latch provides security and easy removal of tank top.
- Fully interchangeable ports for optimum plumbing flexibility.
- Attractive slim design blends easily into any backyard escape.



Locking Ring With Safety Latch.



Single Cartridge Element

- Single cartridge element combined with the user-friendly lock ring design makes maintenance easy.

## ADDITIONAL FEATURE HIGHLIGHTS

### Comes complete with:

- Unions and drain plug assembly
- Single cartridge element
- Air relief valve and pressure gauge

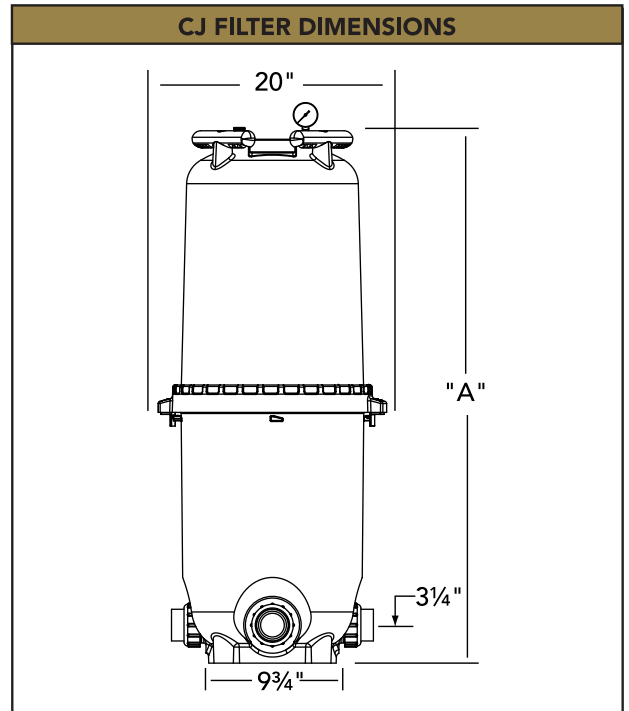
### Optional:

Combination Pressure Gauge/Air Relief valve with Clean/Dirty indicator available



Optional Pressure Gauge/Air Relief Valve w/Clean/Dirty Indicator

CJ SERIES SPECIFICATIONS		
MODEL NUMBER	CJ200	CJ250
Filter Area	200 ft <sup>2</sup>	250 ft <sup>2</sup>
Design Flow Rate	.5 gpm/ft <sup>2</sup>	.5 gpm/ft <sup>2</sup>
Maximum Flow	100 gpm	125 gpm
Six Hour Capacity	36,000 gals.	45,000 gals.
Eight Hour Capacity	48,000 gals.	60,000 gals.
Maximum Working Pressure	50 psi	50 psi
Cartridges Required	1	1
Shipping Weight	48 lbs.	50 lbs.
Height (A)	39.5 inches	45.5 inches
Footprint	20" circle	20" circle



**ALL JANDY PRODUCTS WORK SEAMLESSLY TOGETHER**

The Jandy AquaLink® RS Control System manages our complete line of technologically advanced products.



Pumps • Filters • Heaters • Air Energy Heat Pumps  
Controls • Lights • Water Purification Systems • Valves  
Water Features • Cleaners • Accessories

