



# CL Filters

## Perfectly Clear



### Jandy sets the benchmark for cartridge filters

You will appreciate the technologically advanced, user-friendly features of the CL filter every time you jump into your pool.

#### **HELPFUL TANK HANDLES**

Designed to make filter installation and cleaning easy.



Easy Grip Handles

#### **UNIQUE PRESSURE GAUGE/AIR RELEASE VALVE**

Clean/Dirty indicator gauge that can be customized for each pool makes it easy to assess filter condition.



Gauge Can Be Customized

#### **TOUGH CONSTRUCTION**

Corrosion-resistant, heavy duty injection molded tank with integrated base for strength. Latest high-tech polymeric materials for long-lasting performance.

#### **SAFETY FEATURES**

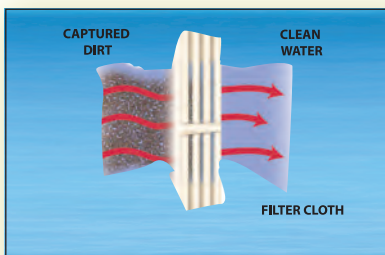
Heavy duty band clamp for safety. Continuous automatic internal air relief system for peace of mind.

#### **STANDARD PLUMBING**

Standard unions and inlet/outlet plumbing for quick and easy hookups.

#### **INDUSTRY PROVEN CARTRIDGES**

Designed for long-lasting reliability and high performance.



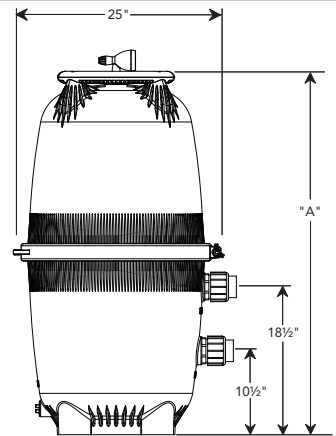
CL Series Filter At Work



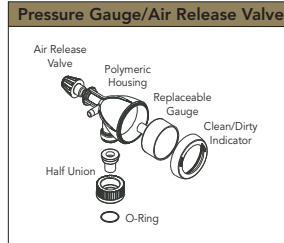
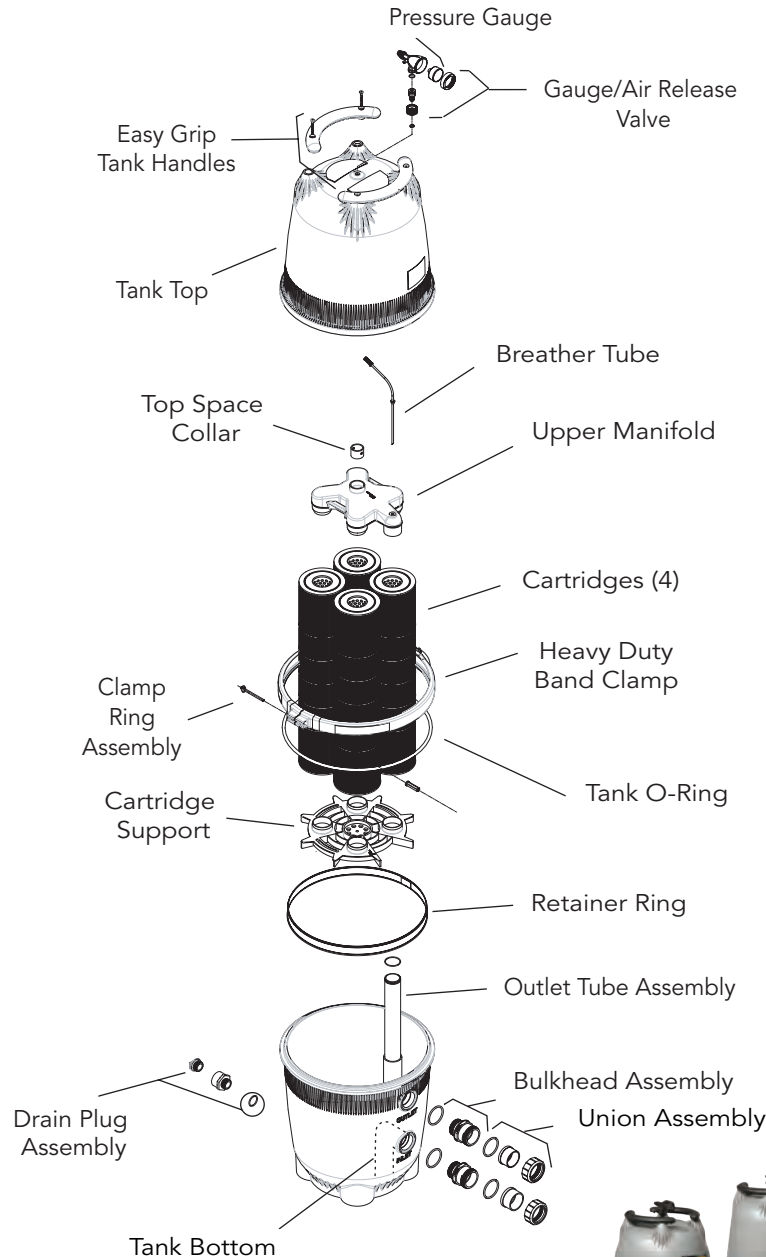
# Jandy CL Filters - *Ultra* Filtration

The combination Pressure Gauge/Air Release Valve can be positioned 360° for easy viewing and the Clean/Dirty indicator can be customized for each pool to make it easy to assess filter condition.

## Filter Dimensions



## CL Filter



## CL Series Specifications

Model Number	CL340	CL460	CL580
Filter Area	340 sq. ft.	460 sq. ft.	580 sq. ft.
Design Flow Rate	1 gpm/ft. <sup>2</sup>	1 gpm/ft. <sup>2</sup>	1 gpm/ft. <sup>2</sup>
Maximum Flow	135 gpm	180 gpm	225 gpm
Six Hour Capacity	48,600 gals.	64,800 gals.	81,000 gals.
Maximum Working Pressure	50 psi	50 psi	50 psi
Cartridges Required	4 (85 ft. <sup>2</sup> each)	4 (115 ft. <sup>2</sup> each)	4 (145 ft. <sup>2</sup> each)
Shipping Weight	93 lbs.	95 lbs.	101 lbs.
Height (A Dim)	41 inches	41 inches	47 inches
Footprint	25 inch circle	25 inch circle	25 inch circle
Distance Between Inlet and Outlet	8 inches	8 inches	8 inches



**ALL JANDY PRODUCTS WORK SEAMLESSLY TOGETHER**

The Jandy AquaLink® RS Control System manages our complete line of technologically advanced products.



Pumps • Filters • Heaters • Air Energy Heat Pumps  
Controls • Lights • Water Purification Systems • Valves  
Water Features • Cleaners • Accessories

1.707.776.8200 • www.jandy.com • info@jandy.com • ©2005 Jandy Pool Products, Inc.

