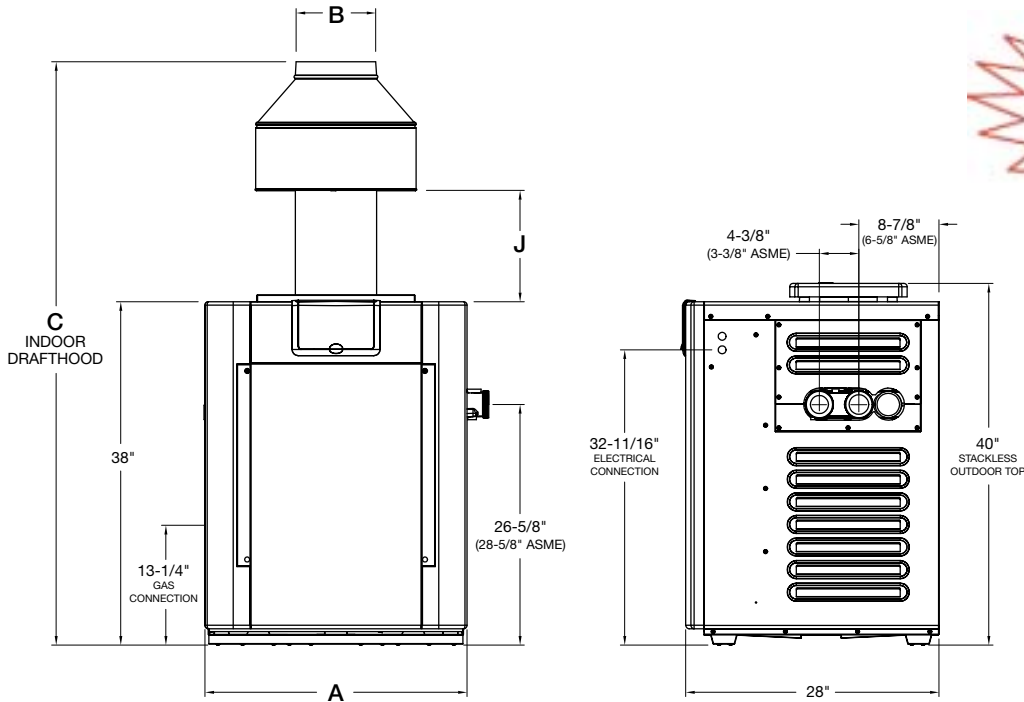


# Technical Data

## Digital and Millivolt Gas Heaters



HEATER  
CAN BE INSTALLED DIRECTLY  
ON A COMBUSTIBLE  
SURFACE!



	Amp Draw	
	120 volt	240 volt
Digital	4	2

Heater Model	BTUH Input (000)	(A) Cabinet Width	(B) Flue Diameter	(C) Indoor Draft Hood	(J) Minimum	Gas Conn.	Water Conn.	Shipping Weights (lbs)		
								w/ Polymer Headers and Stackless Top	w/ cast iron Headers and Stackless Top	Indoor Draft Hood
R206A	199.5	20"	6"	61-5/8"	11-7/8"	3/4"	2"	187	206	12
R266A	266.0	23"	7"	62"	11"	3/4"	2"	210	229	15
R336A	332.5	26"	8"	63"	10-5/8"	3/4"	2"	230	249	17
R406A	399.0	29"	9"	64-1/2"	12-5/16"	3/4"	2"	249	268	20

Designation for a Digital heater using propane gas is "EP"; a Digital heater using natural gas is "EN".

Designation for a Millivolt heater using propane gas is "MP"; a Millivolt heater using natural gas is "MN".

Prefix "P" is for plastic (polymer) headers; "C" is for cast iron (ASME) headers.

Suffix "X" is for cupro-nickel tubing; "C" is for copper tubing

Example: **P-R406A-EN-X** = Plastic headers, 406 model size, digital, natural gas, cupro-nickel

Reduce input 4% for each 1000 feet above sea level when installed above 2000 feet elevation.

Manufactured under Patent No. 3,623,458.

## Swimming Pool and Spa Heating Products



The Pool and Spa Heating Experts<sup>sm</sup>

# Technical Data

## Features

### All models

- **PolyTuf Textured Powder Coating**  
The Raypak gas heater has a polyester-coated, non-corrosive cabinet that is more durable than solventborne- and waterborne-coated metal cabinets. Every piece of sheet metal goes through a 7-stage wash system, making certain the powder paint has a perfect bond. Underneath the tough, yet beautiful finish you will find galvanized metal that offers superior rust prevention and years of durable service.
- **Wind-Resistant Design**  
No need for fans to combat drafting problems. This heater is designed to draft naturally in outdoor installations with its exclusive low-profile design. It is so thoughtfully and carefully designed it actually protects itself from the things that tend to stifle ordinary pool and spa heaters. It delivers uninterrupted heating performance regardless of falling leaves, wind, airborne debris, rain, downdrafts, updrafts, sleet, snow, etc.
- **Polymer Headers**  
Polymer headers prevent rust stains from harming your pool's surface, giving you years of trouble-free swimming pleasure.
- **All-Copper-Fin-Tube Heat Exchanger**  
The fin tubes of the heat exchanger are each made from a single piece of extruded copper. This integral-fin design allows maximum heat transfer to be attained and maintained. Cupro-nickel is also available as an optional upgrade.
- **Stainless Steel Tube Sheet**  
Stainless steel tube sheets are used on all RP2100 heaters with the polymer headers. This allows for a completely nonferrous waterway, leaving your pool truly rust-free.
- **CPVC 2" Water Connections**  
Standard with every Raypak is a set of 2" slip-fit CPVC water connections to make your installation secure and effortless.
- **Condensation Protection**  
The Unitherm Governor helps reduce condensation from low inlet water temperatures. It automatically regulates the water flow to help keep the water temperature in the heat exchanger above 105°F. Both water temperature and water flow rate are controlled to eliminate condensation, sooting, and scale build-up that can shorten heater life.
- **High Flow Rates**  
The Raypak gas heater comes with an automatic bypass built into the header. You'll find that the heater is capable of handling water flow at a rate up to 125 gpm.
- **Burner Tray**  
Every burner tray is built to last, from the stainless steel burners to the aluminized metal used in the heat sensitive areas. Innovative design allows for the easy removal of the tray and burners for servicing.
- **Fire Tile**  
A ceramic fiber combustion box keeps your heater running efficiently while keeping the outside jacket cool. By using this space-age material the heater won't retain residual heat after it is turned off, allowing it to be installed without the use of costly metal heat sinks.
- **Fuel-Efficient**  
Energy-smart Raypak heaters consistently achieve the highest efficiency ratings. They exceed all federal and state standards.

### Digital models only

- **Microprocessor-Controlled Thermostat**  
The Raypak Digital gas heater features a microprocessor-based control center. This control allows you to set your pool or spa temperature precisely at your favorite setting just by pressing the up or down temperature control buttons.
- **Self-Diagnostic**  
On-board diagnostic controls let the user and the service professional know what is going on with the heater at all times. In the event that you would ever have a problem with the heater, the digital display will indicate the source.
- **Remote-Compatible**  
Compatible with most major pool control and remote systems on the market today. Any two-wire or three-wire remote can connect to the heater and be integrated into the pool control system of your choice.
- **Electronic Ignition**  
Raypak Digital heaters come standard with intermittent spark ignition pilot safety controls. What this means is that the pilot only comes on when there is a call for heat. This provides an energy-efficient way to control your heater's gas usage by eliminating the need for a continuous pilot.

### Millivolt models only

- **Mechanical Thermostat**  
The Raypak Millivolt gas heater comes with one mechanical thermostat. This control allows you to set your pool or spa temperature precisely at your favorite setting.
- **Millivolt Controls**  
No power source is required for the Raypak Millivolt heater. All operating electricity is supplied by the pilot thermocouple.

### Quality assurance

- **ISO 9001**  
We are proud to be an ISO 9001 registered manufacturing plant. It's one more reason why Raypak is number one in the heater industry today.
- **End-of-Line Test**  
Every Raypak gas pool heater is plumbed and test-fired before it is put in the carton. This ensures that your heater will work right out of the box and continue to give you years of trouble-free operation.
- **Quality Check Points**  
The Raypak assembly process includes six final assembly quality check points that help to ensure that every Raypak gas heater is built correctly, and built to last.
- **CSA-Certified**  
All of Raypak's gas pool heaters are CSA-certified and are tested by CSA to the ANSI Z21.56 standard.

In keeping with its policy of continuous progress and product improvement, Raypak reserves the right to make changes without notice



## Swimming Pool and Spa Heating Products