

Search for keyword or part no.

Search



Designed, Engineered, and
Manufactured in the U.S.A

[Home](#)

[News](#)

[Products](#)

[Marketing Materials](#)

[Resources](#)

[Distributor Locator](#)

[Contact](#)

Executive – 56-Frame

[Return to Pumps & Bases](#)



Specifications

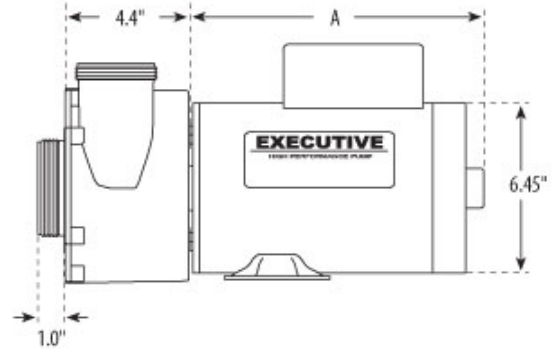
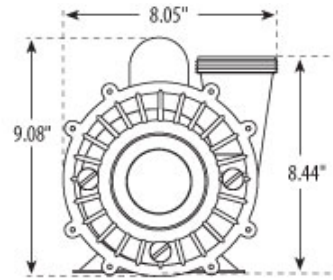
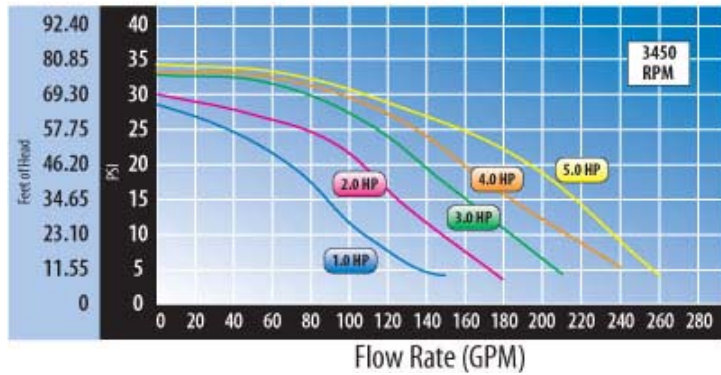
Features

- Executive wet end designed specifically for 56-frame motors
- Two double shielded ball bearings with moisture resistant grease for quieter operation and longer life
- Two speed motors have four sets of insulated windings for increased efficiency
- 56-frame motor for added strength, cooler operating temperature and longer motor life
- Large 2 1/2" intake for improved flow performance and reduced noise
- Large 6 1/2" diameter wet end for higher head pressure
- Split capacitor, (start and run) for less energy consumption
- Thermally protected to extend life expectancy of motor
- Highly versatile wet end can be rotated every 90°
- Viton seals
- Three year warranty on motor and wet end



Call for available cords and plugs.

PRESSURE VERSUS FLOW RATE



2-Speed Executive 56-Frame Pumps

Part No.	Description	HP	Volts	Amps High Speed	Amps Low Speed	Hz	Dimension "A"
3720821-1D2"	Intake – 2" Discharge	2	230	8.0	3.0	60	8.875"
3720821-13 2 1/2"	Intake – 2" Discharge	2	230	8.0	3.0	60	8.875"
3721221-1D2"	Intake – 2" Discharge	3	230	10.0	3.4	60	9.875"
3721221-13 2 1/2"	Intake – 2" Discharge	3	230	10.0	3.4	60	9.875"
3721621-1D2"	Intake – 2" Discharge	4	230	12.0	4.4	60	10.375"
3721621-13 2 1/2"	Intake – 2" Discharge	4	230	12.0	4.4	60	10.375"
3722021-1D2"	Intake – 2" Discharge	5	230	16.4	4.8	60	10.375"
3722021-13 2 1/2"	Intake – 2" Discharge	5	230	16.4	4.8	60	10.375"

1-Speed Executive 56-Frame Pumps

Part No.	Description	HP	Volts	Amps	Hz	Dimension "A"
3710821-1D2"	Intake – 2" Discharge	2	230	8.0	60	8.875"
3710821-13 2 1/2"	Intake – 2" Discharge	2	230	8.0	60	8.875"
3711221-1D2"	Intake – 2" Discharge	3	230	10.0	60	9.875"
3711221-13 2 1/2"	Intake – 2" Discharge	3	230	10.0	60	9.875"
3711621-1D2"	Intake – 2" Discharge	4	230	12.0	60	10.375"
3711621-13 2 1/2"	Intake – 2" Discharge	4	230	12.0	60	10.375"
3712021-1D2"	Intake – 2" Discharge	5	230	16.4	60	10.375"
3712021-13 2 1/2"	Intake – 2" Discharge	5	230	16.4	60	10.375"

Products

Pool

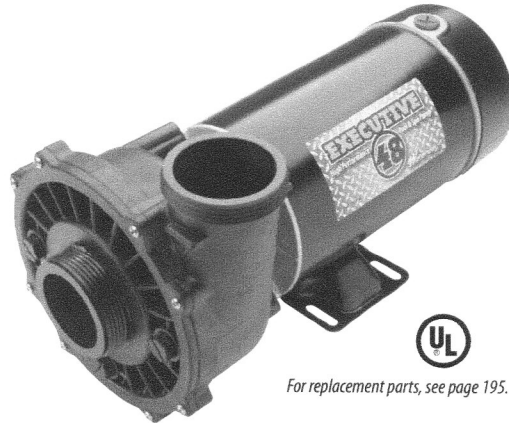
- [Air Systems](#)
- [Chlorinators & Time Clocks](#)



FEATURES:

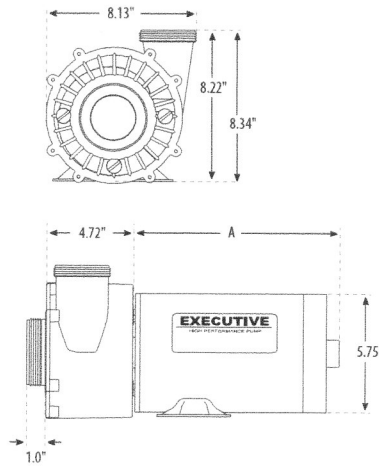
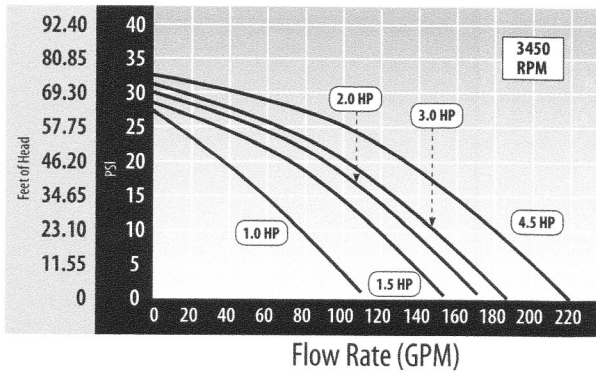
- Executive wet end designed specifically for 48-frame motors
- Large 2 ½" intake for improved flow performance and reduced noise
- Large 6 ½" diameter wet end for higher head pressure
- Thermally protected to extend life expectancy of motor
- Highly versatile wet end can be rotated every 90°
- Viton seals
- 2-year warranty on motor, 3-year on wet end

Call for available cords and plugs.



For replacement parts, see page 195.

PRESSURE VERSUS FLOW RATE



2-Speed Executive 48-Frame Pumps

Part No.	Description	HP	Volts	Amps High Speed	Amps Low Speed	Hz	Dimension "A"	List (US \$)
3420410-1A	2" Intake - 2" Discharge	1.0	115	11.0	2.9	60	9.73"	455.33
3420410-13	2 ½" Intake - 2" Discharge	1.0	115	11.0	2.9	60	9.73"	455.33
3420610-1A	2" Intake - 2" Discharge	1.5	115	16.4	4.4	60	10.48"	497.21
3420610-13	2 ½" Intake - 2" Discharge	1.5	115	16.4	4.4	60	10.48"	497.21
3420620-1A	2" Intake - 2" Discharge	1.5	230	8.0	2.6	60	10.45"	497.21
3420620-13	2 ½" Intake - 2" Discharge	1.5	230	8.0	2.6	60	10.45"	497.21
3420820-1A	2" Intake - 2" Discharge	2.0	230	10.5	2.6	60	11.0"	526.81
3420820-13	2 ½" Intake - 2" Discharge	2.0	230	10.5	2.6	60	11.0"	526.81
3421221-1A	2" Intake - 2" Discharge	3.0	230	8.5	2.8	60	11.0"	545.15
3421221-13	2 ½" Intake - 2" Discharge	3.0	230	8.5	2.8	60	11.0"	545.15
3421821-1A	2" Intake - 2" Discharge	4.5	230	12.0	3.5	60	11.98"	614.58
3421821-13	2 ½" Intake - 2" Discharge	4.5	230	12.0	3.5	60	11.98"	614.58

1-Speed Executive 48-Frame Pumps

Part No.	Description	HP	Volts	Amps	Hz	Dimension "A"	List (US \$)
3410410-1A	2" Intake - 2" Discharge	1.0	115	12	60	9.23"	393.96
3410610-1A	2" Intake - 2" Discharge	1.5	115	17	60	9.78"	423.36
3410830-1A	2" Intake - 2" Discharge	2.0	115/230	20/10	60	10.98"	484.81
3410830-13	2 ½" Intake - 2" Discharge	2.0	115/230	20/10	60	10.98"	484.81
3411621-1A	2" Intake - 2" Discharge	4.0	230	12	60	11.18"	569.49
3411621-13	2 ½" Intake - 2" Discharge	4.0	230	12	60	11.18"	569.49